

SPECIFICATIONS**GENERAL-**

Aluminum framing shall be Marlin System 60 thermally improved as manufactured by Marlin windows.

MATERIALS-

All framing shall be aluminum extrusions of 6063-T5 alloy & temper with a minimum wall thickness of .094". System 60 shall have a PVC thermal separator to eliminate contact between the interior and exterior sections. Glazing gaskets shall be extruded E.P.D.M. System shall accommodate vertical structural silicone butt glazing (Architect specify).

FINISH-

Standard architectural Class II anodic color conforming to Aluminum Association AA-M12-C22-A34 for dark bronze or AA-M12-C22-A31 for clear anodize. (Architectural Class I and Class II anodic finishes and organic coatings available - specify).

CONSTRUCTION-

Aluminum framing shall have a 2 1/2" face width and a depth of 7 3/8" or 5 3/4" - (Architect to specify) and provide for flush glazing without projecting stops. Optional low profile vent (Architect to specify) **Maximum vent 60" x 36"**.

SEISMIC-

System shall be tested to withstand seismic racking without loss of integrity.

PERFORMANCE-

System 60 shall be tested in accordance with AAMA 501 and meet the requirements of ASTM E 331 for water penetration, and ASTM E 330 for structural performance. Deflection of mullions shall be limited to L/175 when subjected to the project design pressure of _____ P.S.F. (Architect to specify).

GLAZING-

Marlin system 60 shall accommodate 1" glazing as required. Provisions for 1/4" glazing shall be accommodated by use of an adapter.

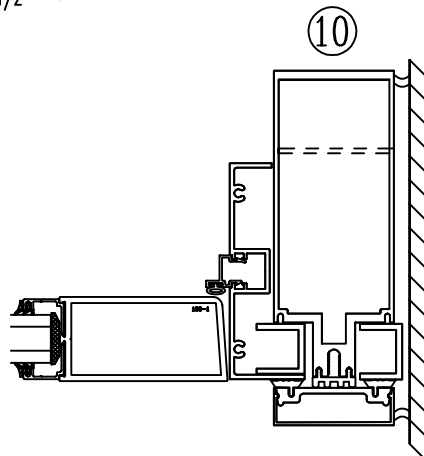
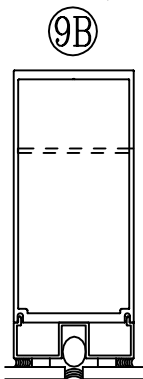
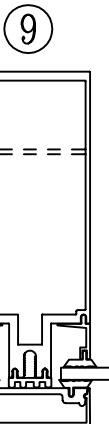
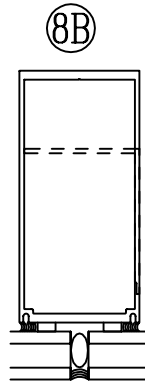
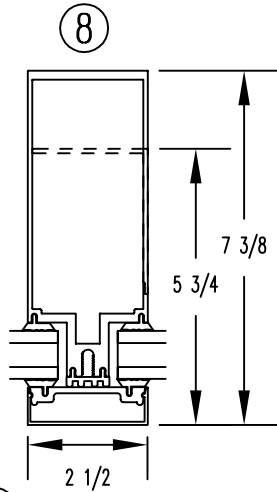
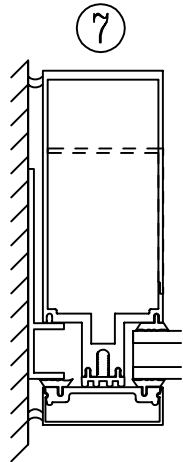
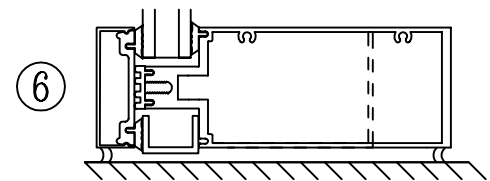
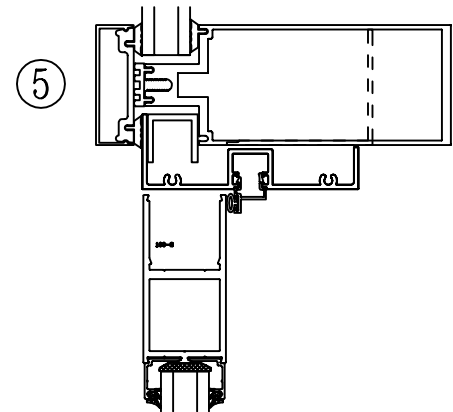
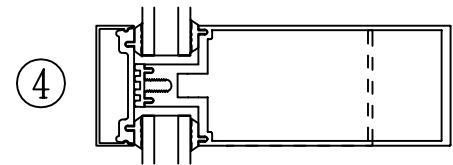
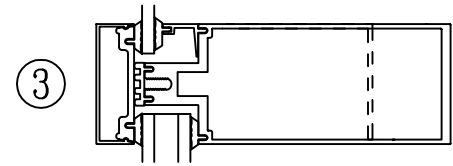
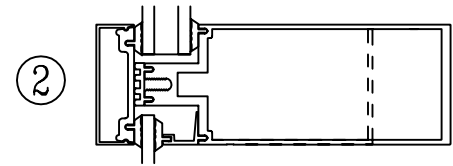
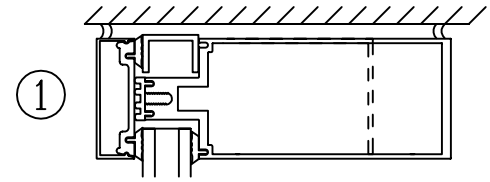
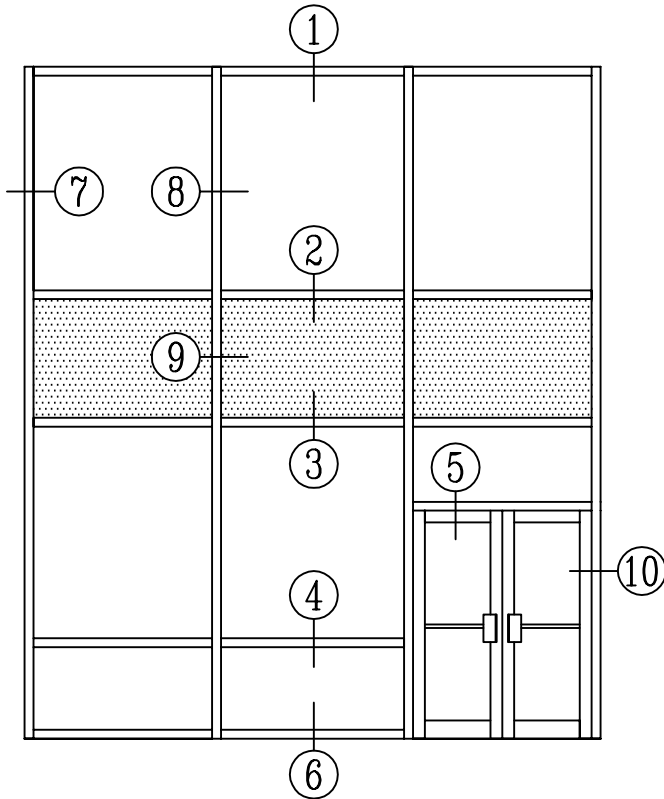
INSTALLATION-

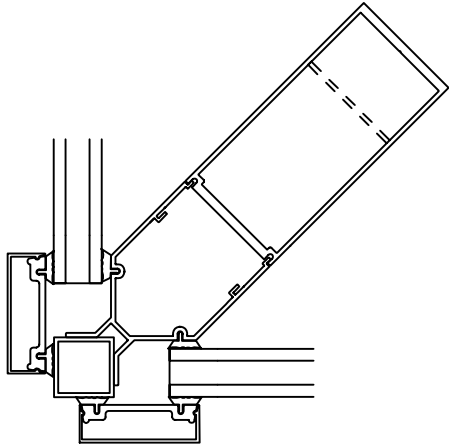
Experienced workman in accordance with approved shop drawings shall install system 60. Glass and framing shall be installed straight, plumb, and level without twisting and securely anchored in place. All joints between framing and the building exterior shall be sealed to provide a watertight installation.

PROTECTION AND CLEANING-

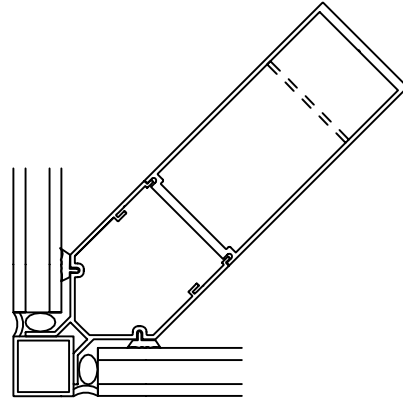
The General Contractor shall provide adequate protection of the aluminum and glass surfaces from damage by grinding compound, lime, acids, cement or other contaminants. The General Contractor shall be responsible for final cleaning.

1/4 SCALE DETAILS



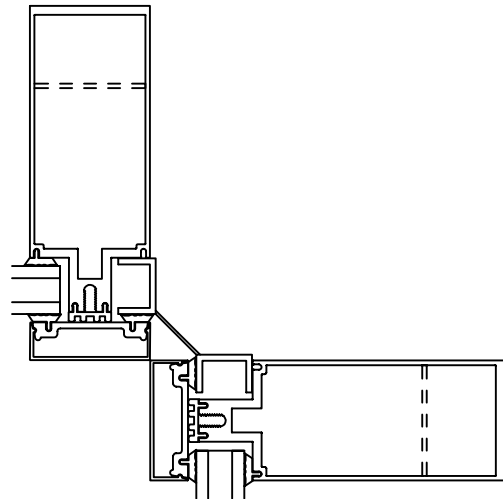
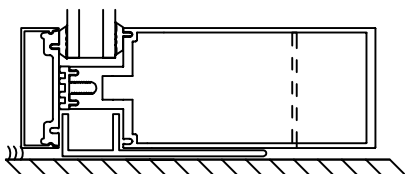
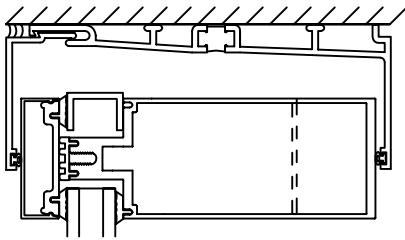


90° OUTSIDE CORNER



90° OUTSIDE CORNER FOR BUTT GLAZING

HEAD COMPENSATING CHANNEL

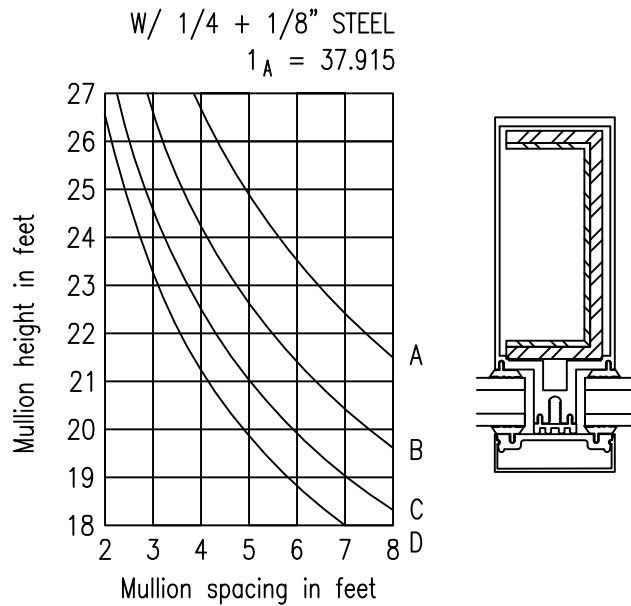
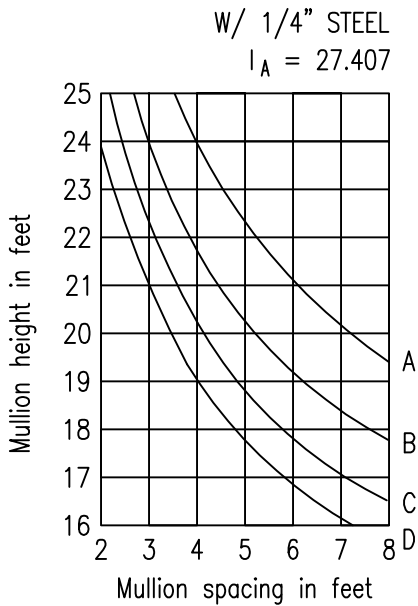
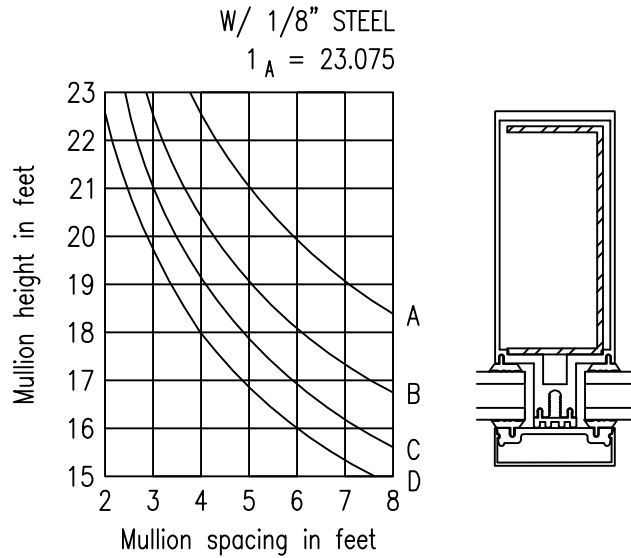
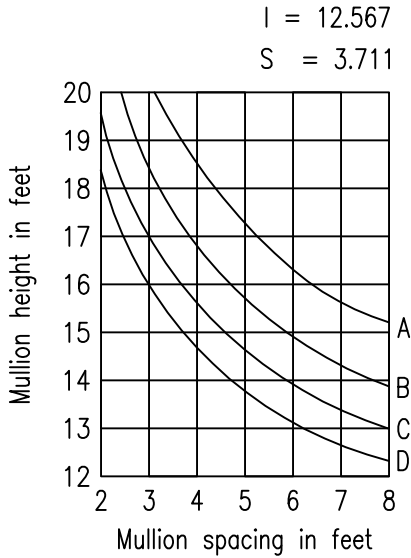


90° INSIDE CORNER

WIND LOAD CHARTS

- A = 15 PSF
- B = 20 PSF
- C = 25 PSF
- D = 30 PSF

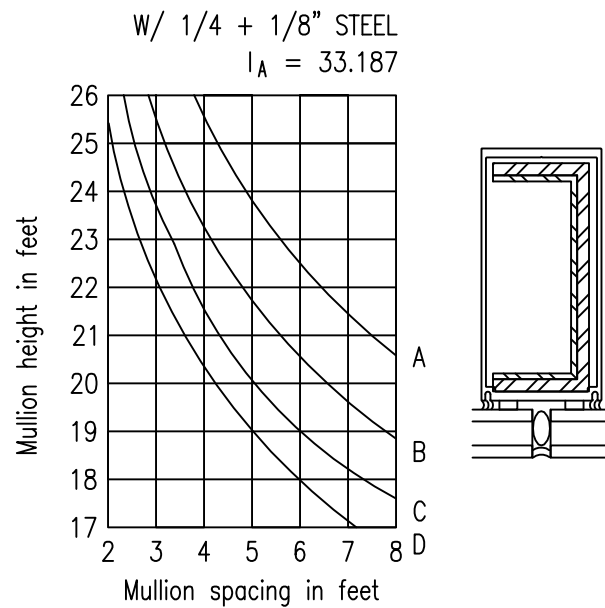
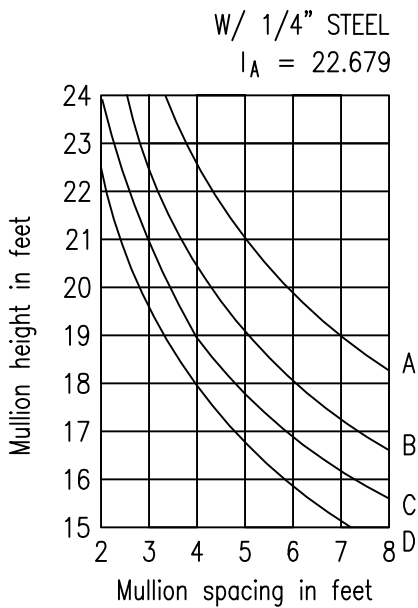
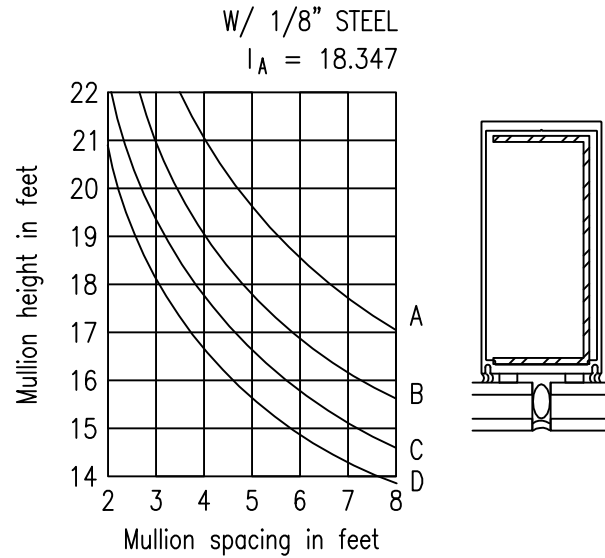
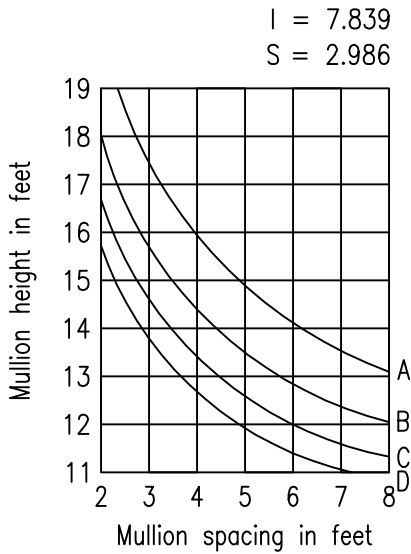
DEFLECTION LIMITED TO L/175
16-11 MULLION (2 1/2 X 7 3/8")



WIND LOAD CHARTS

- A = 15 PSF
- B = 20 PSF
- C = 25 PSF
- D = 30 PSF

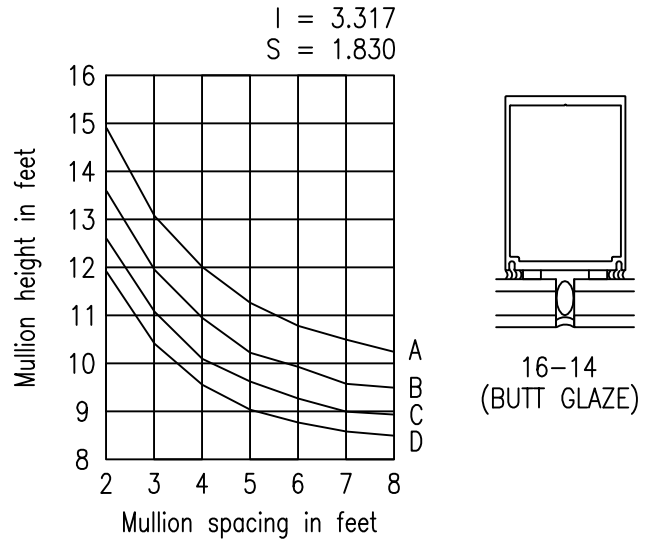
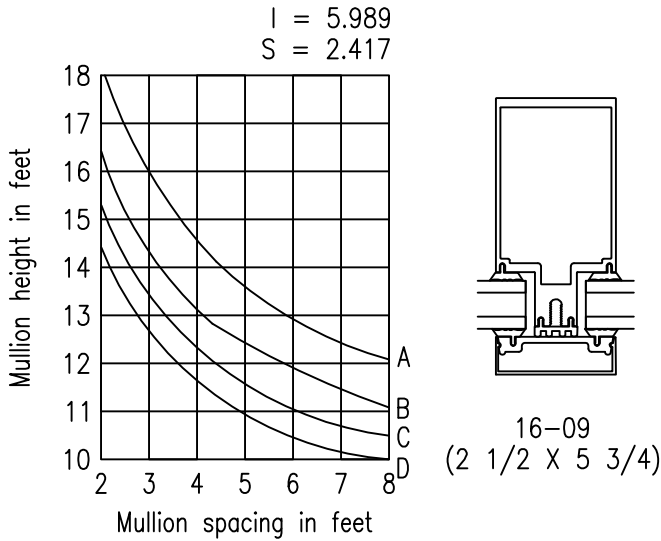
DEFLECTION LIMITED TO L/175
16-15 BUTT GLAZE MULLION



- A = 15 PSF
- B = 20 PSF
- C = 25 PSF
- D = 30 PSF

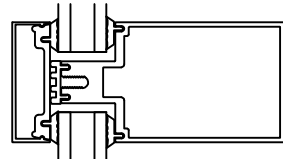
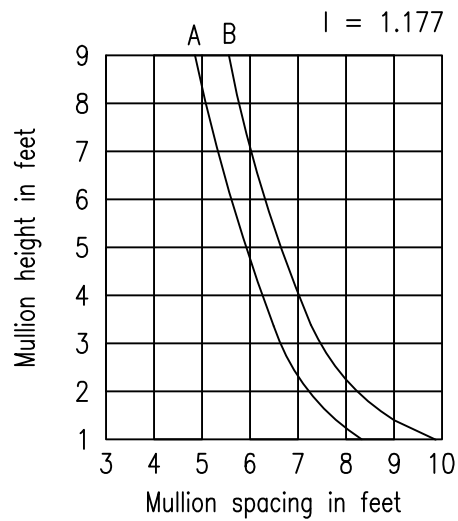
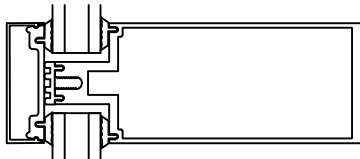
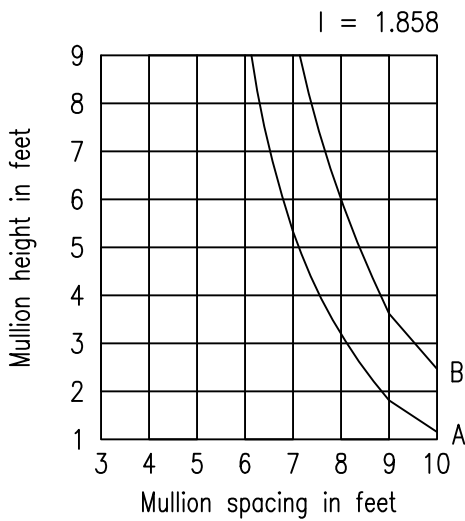
WIND LOAD CHARTS

DEFLECTION LIMITED TO L/175

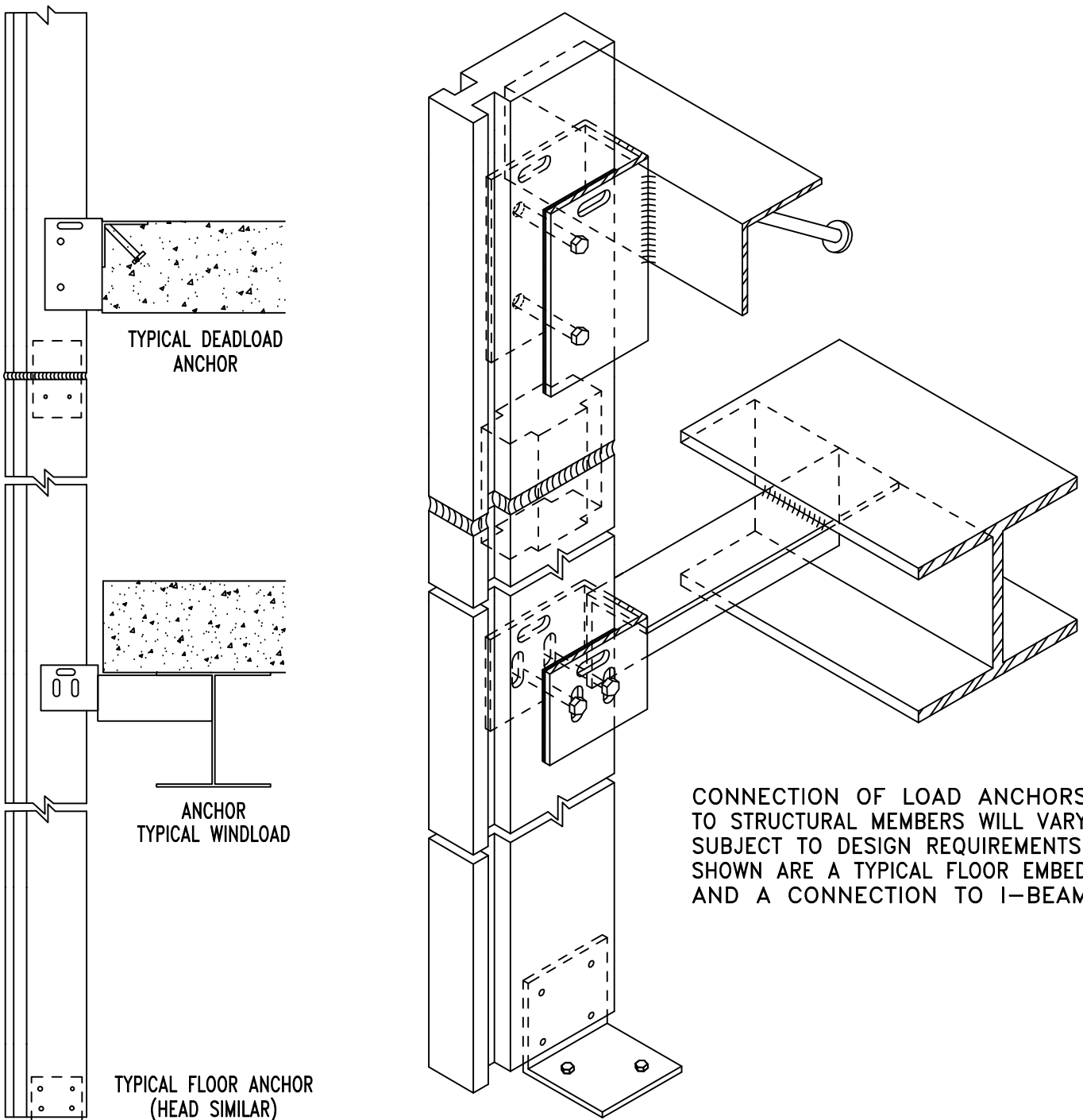


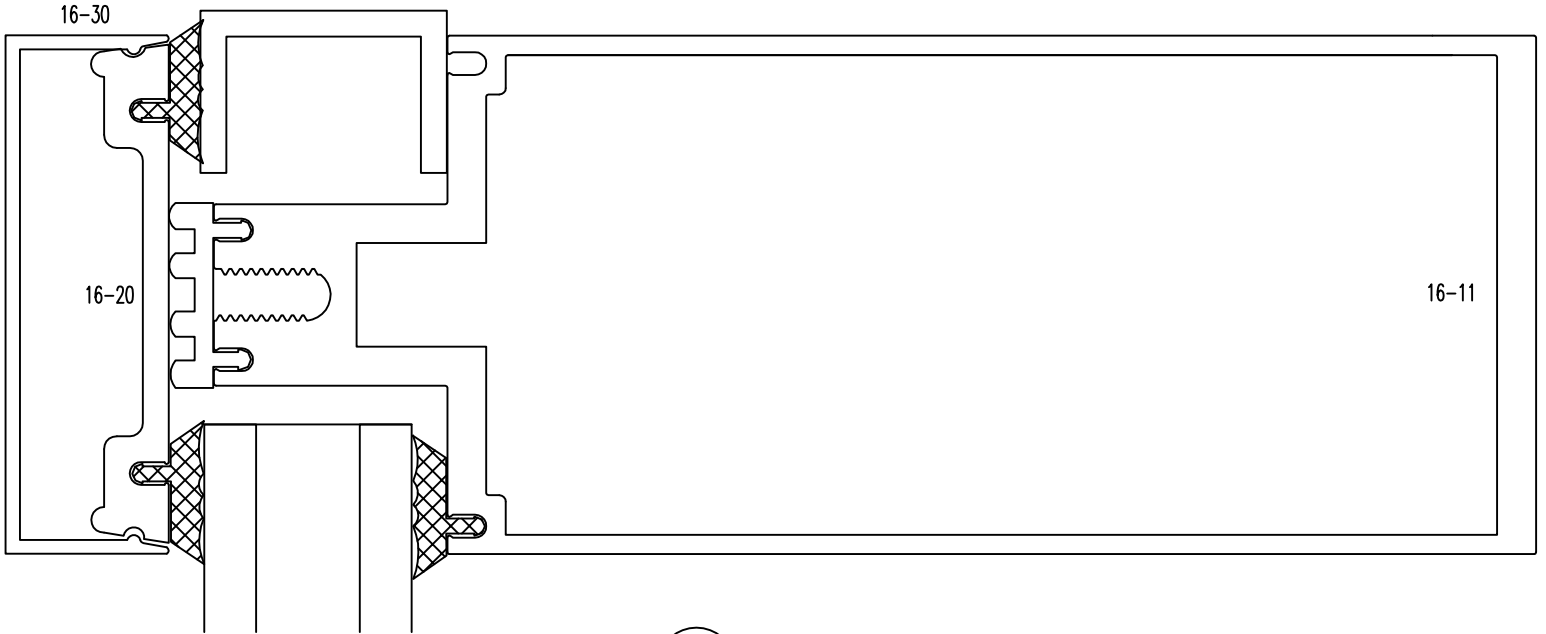
DEAD LOAD CHARTS

- 1/4 POINT LOADING (A)
- 1/8 POINT LOADING (B)



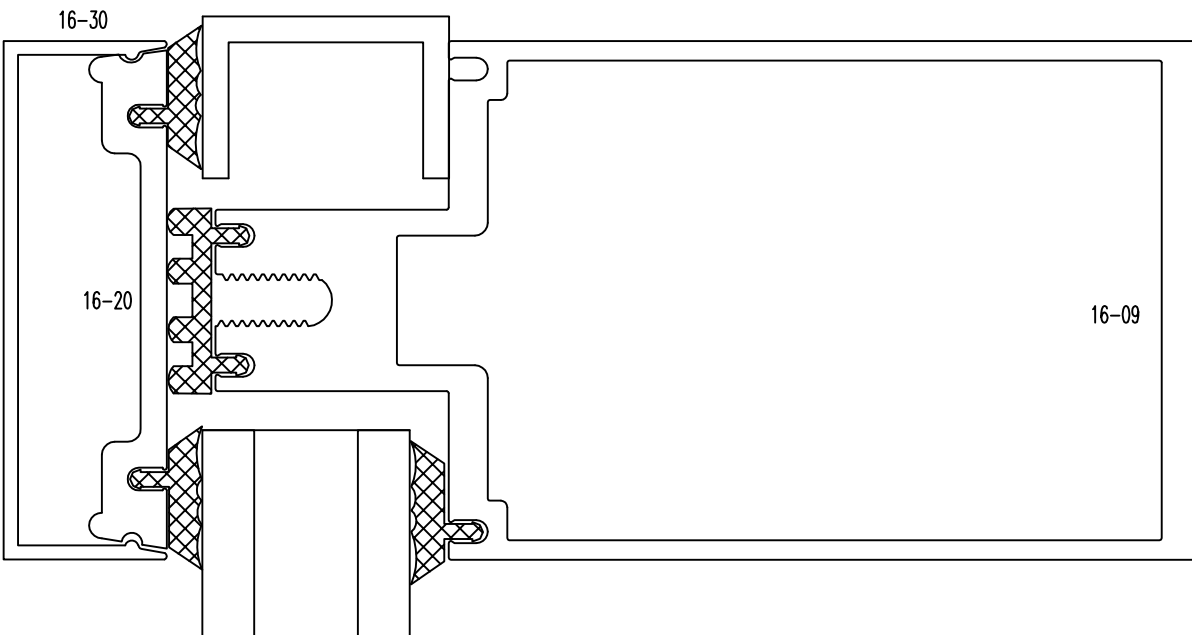
WINDLOAD/DEADLOAD ANCHORING 1/4 SCALE DETAILS
FOR TWIN SPAN APPLICATIONS

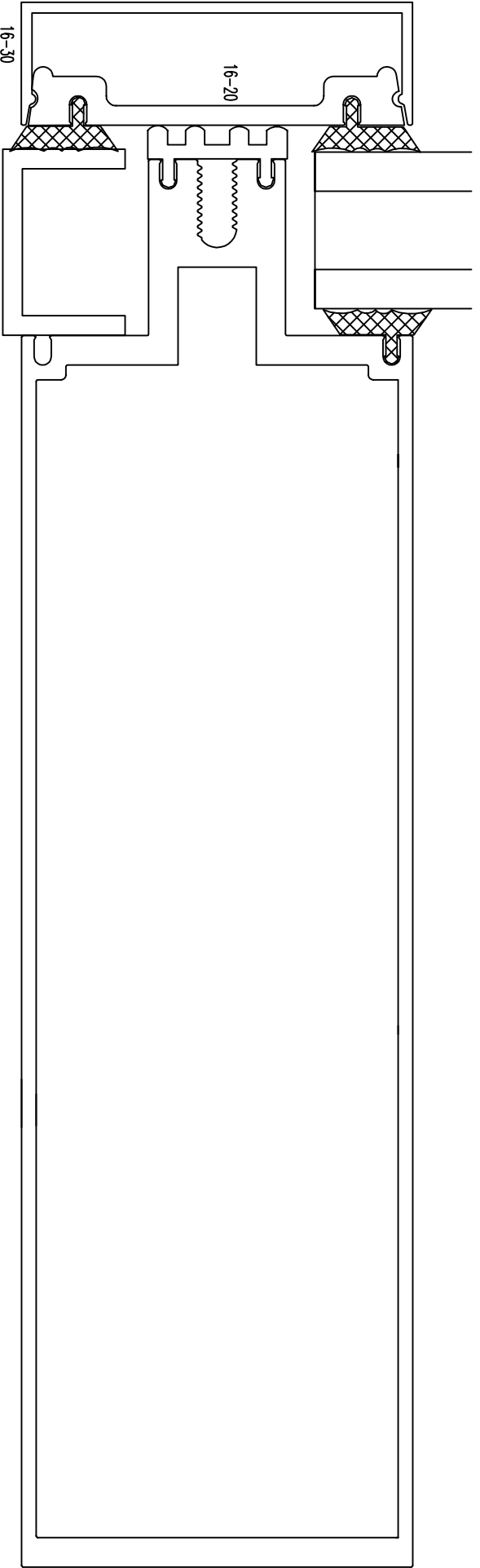
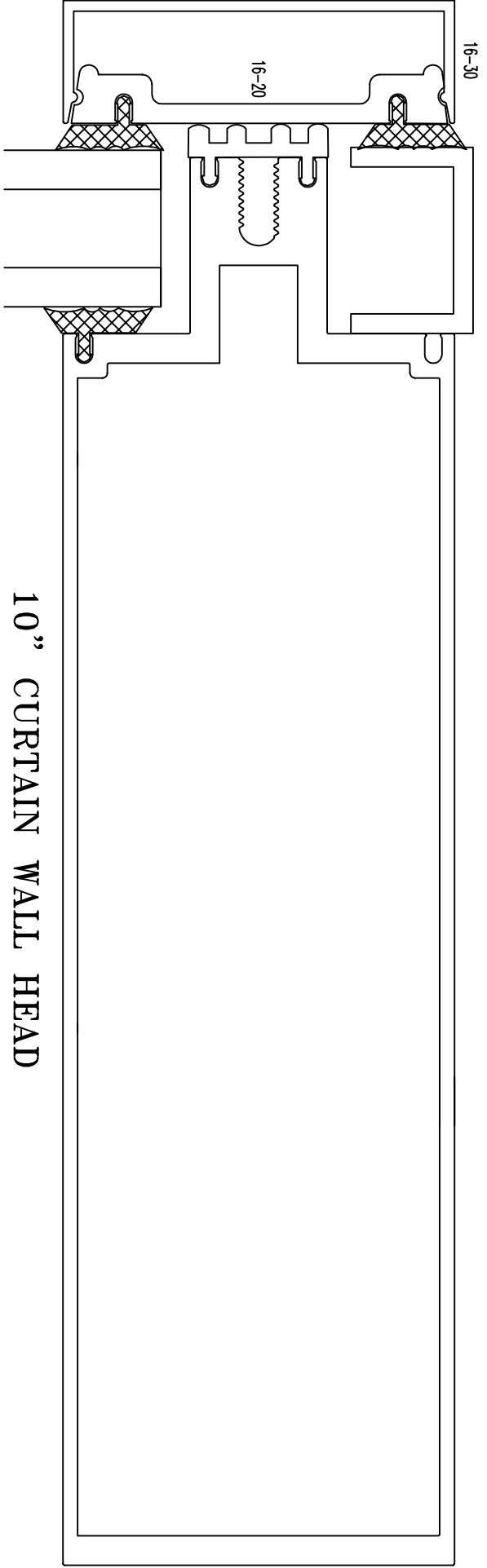


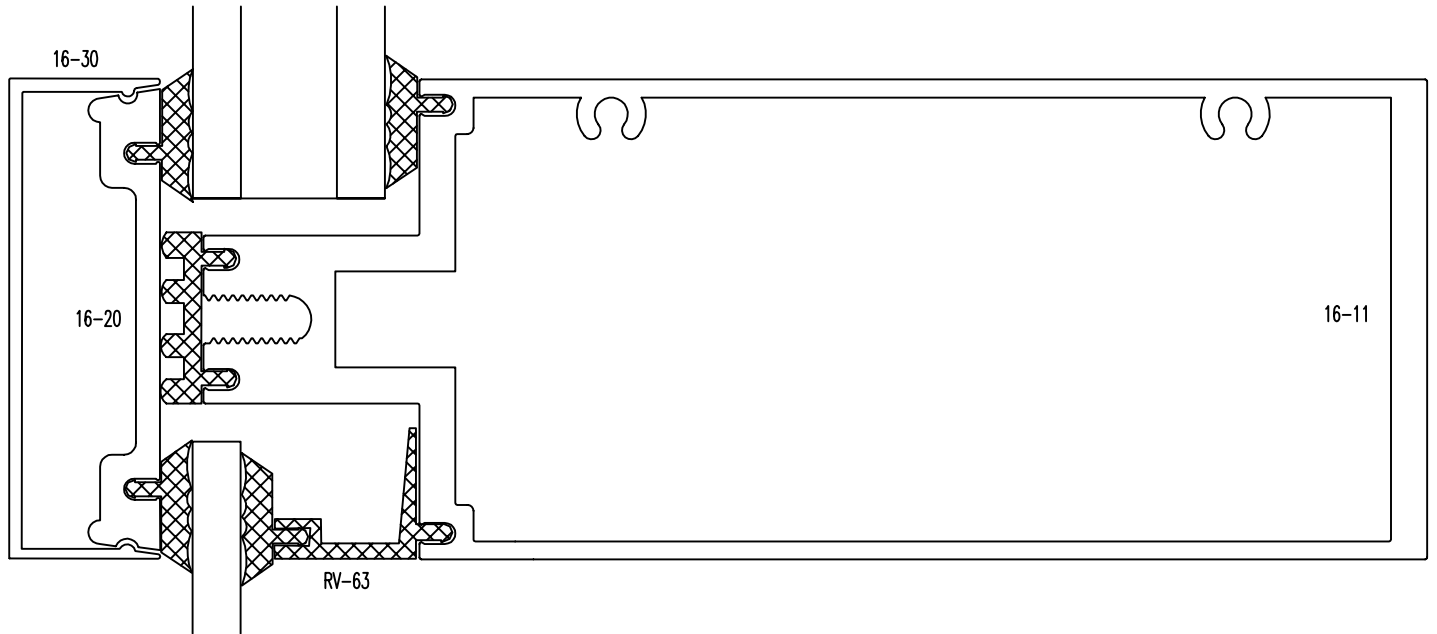


① HEAD

①A HEAD

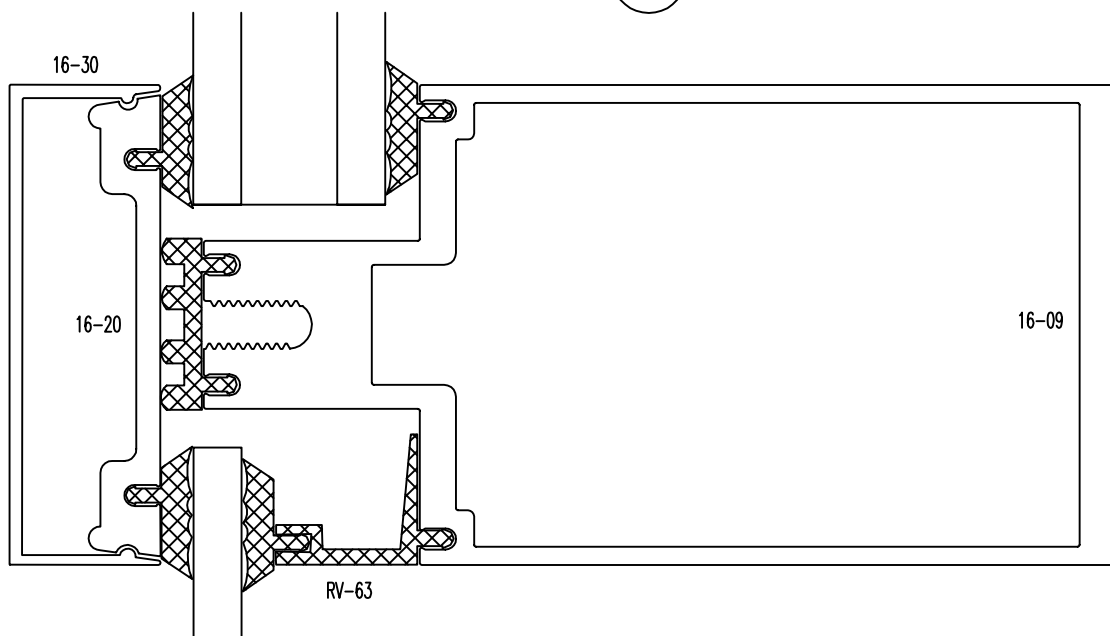


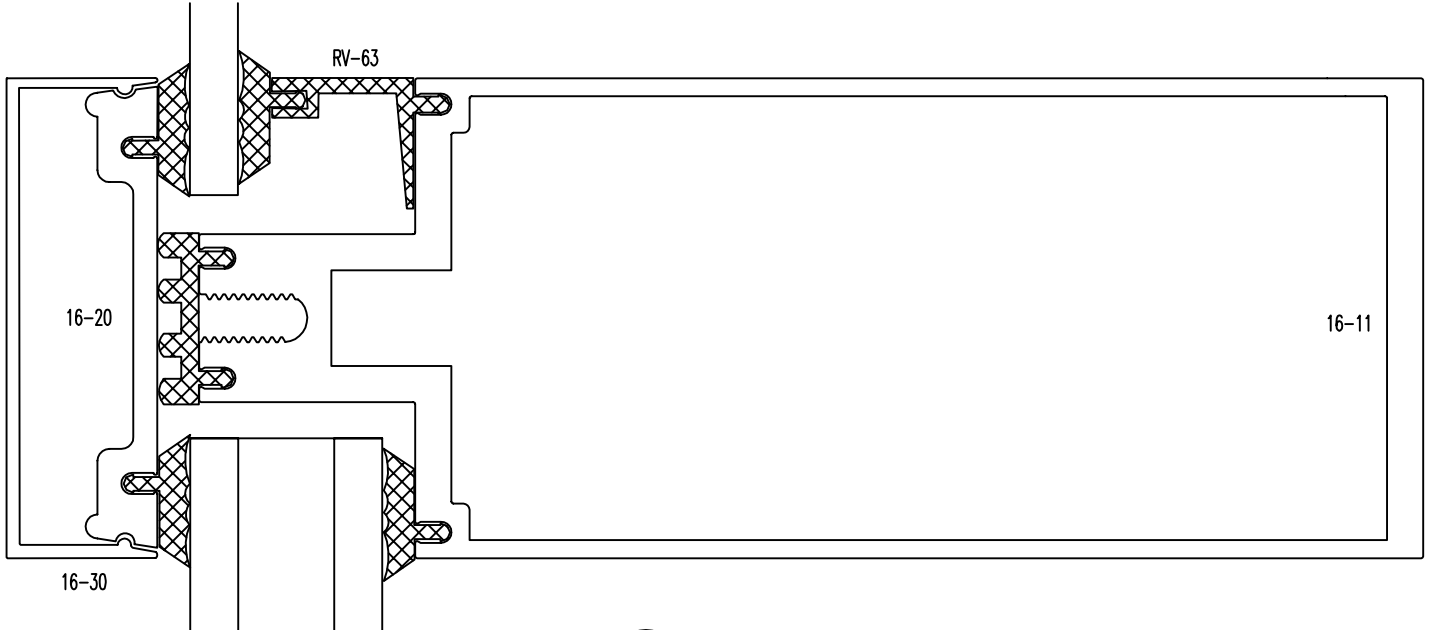




② HORIZONTAL

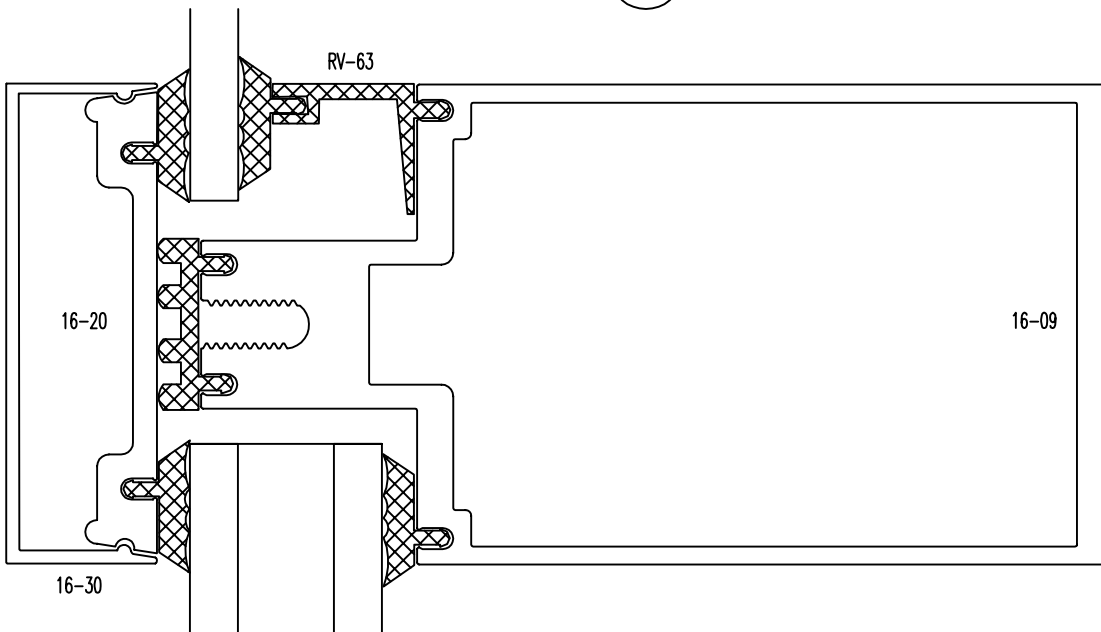
②A HORIZONTAL

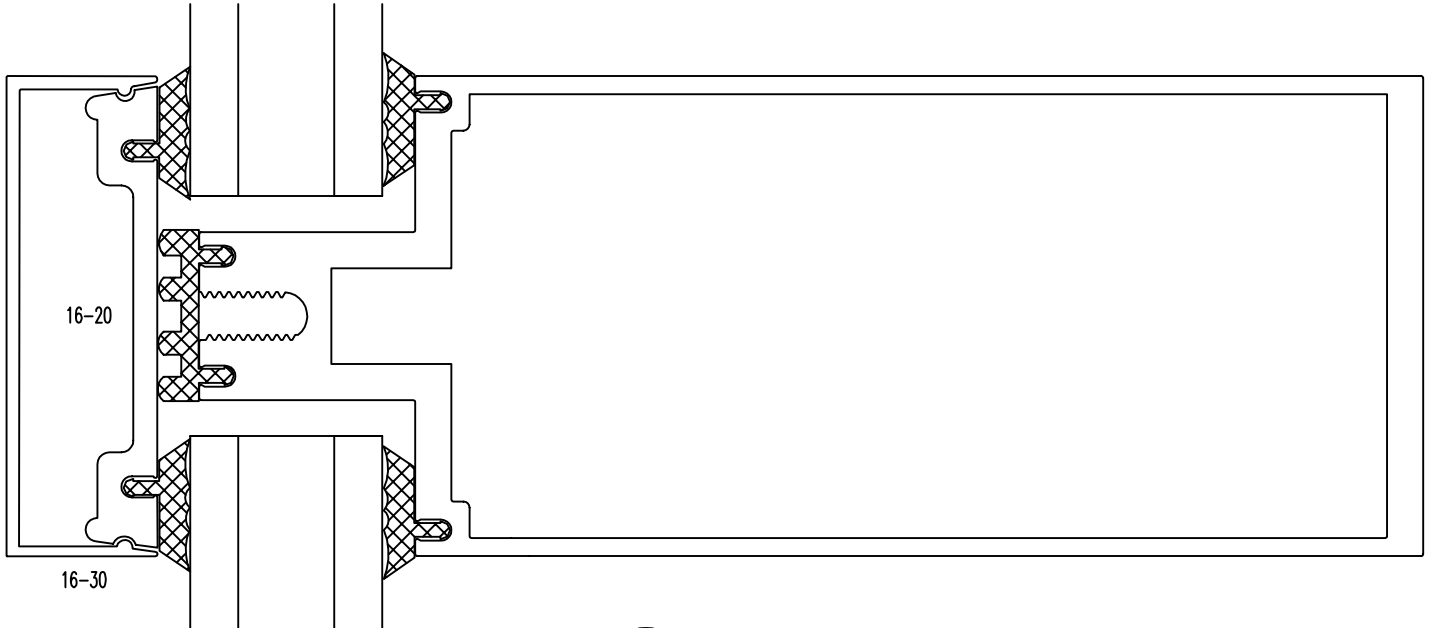




③ HORIZONTAL

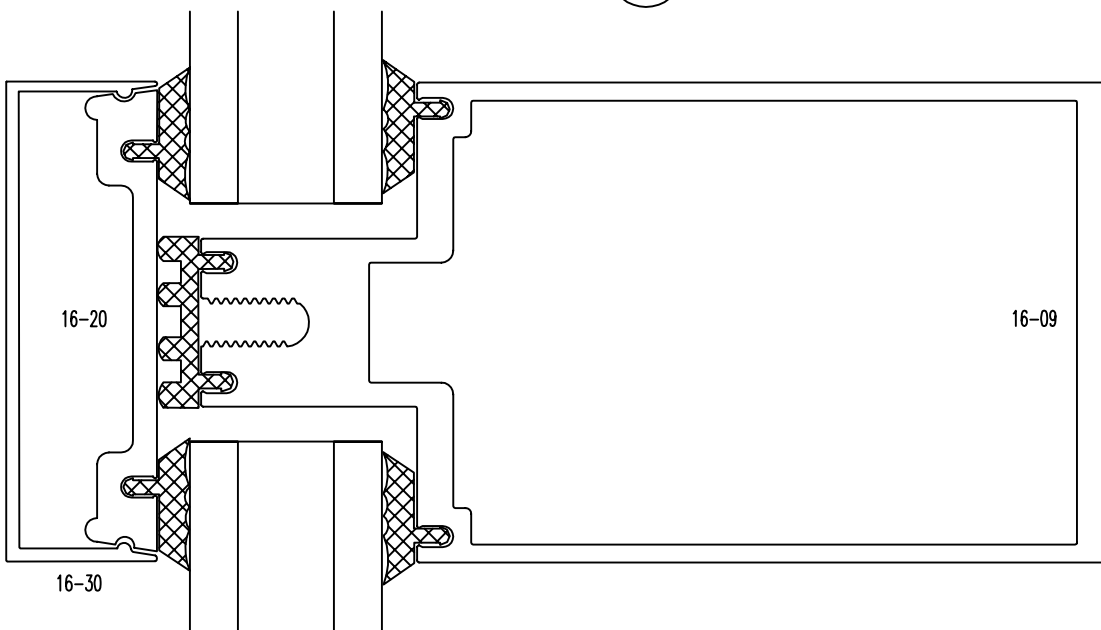
③A HORIZONTAL

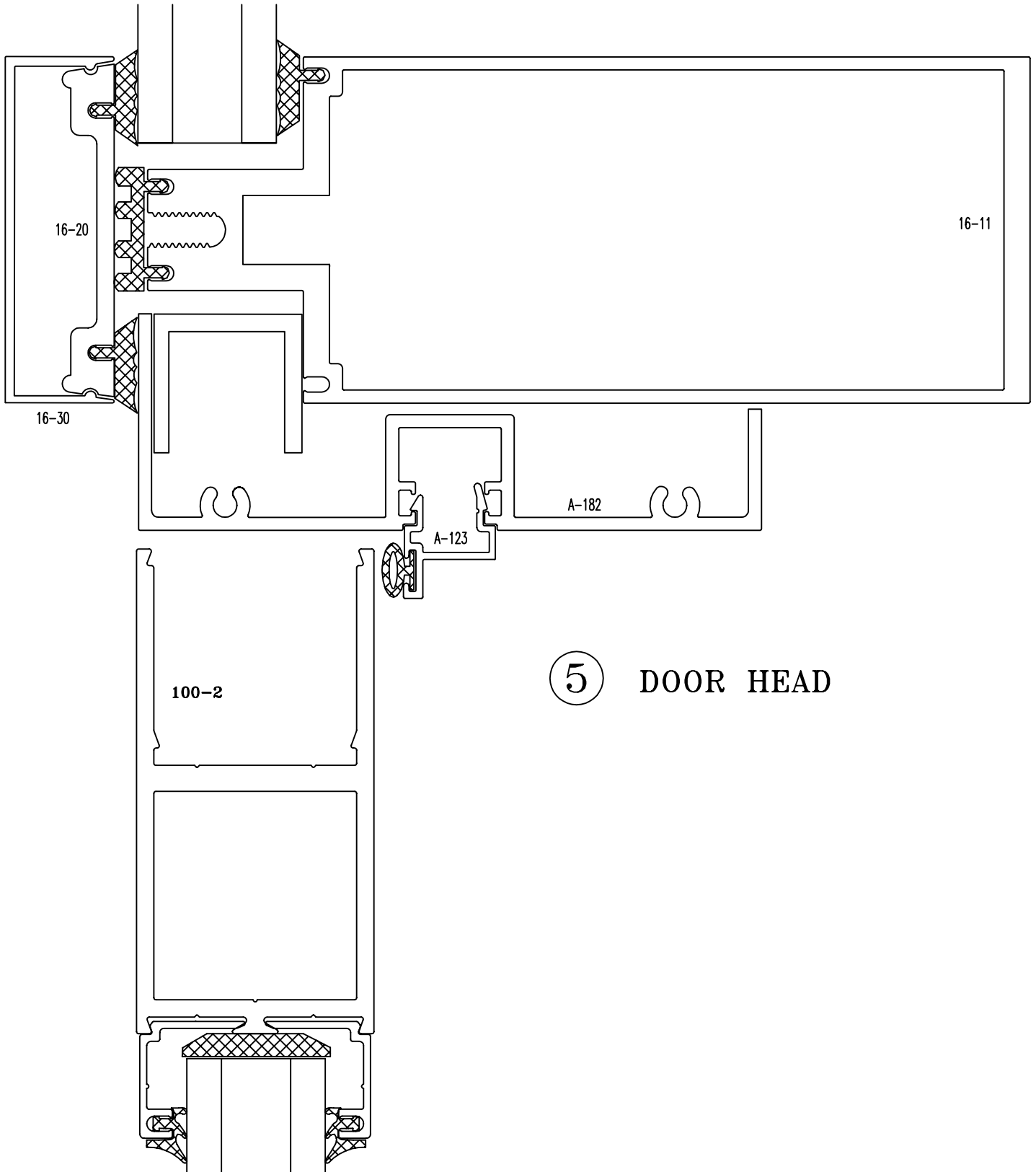


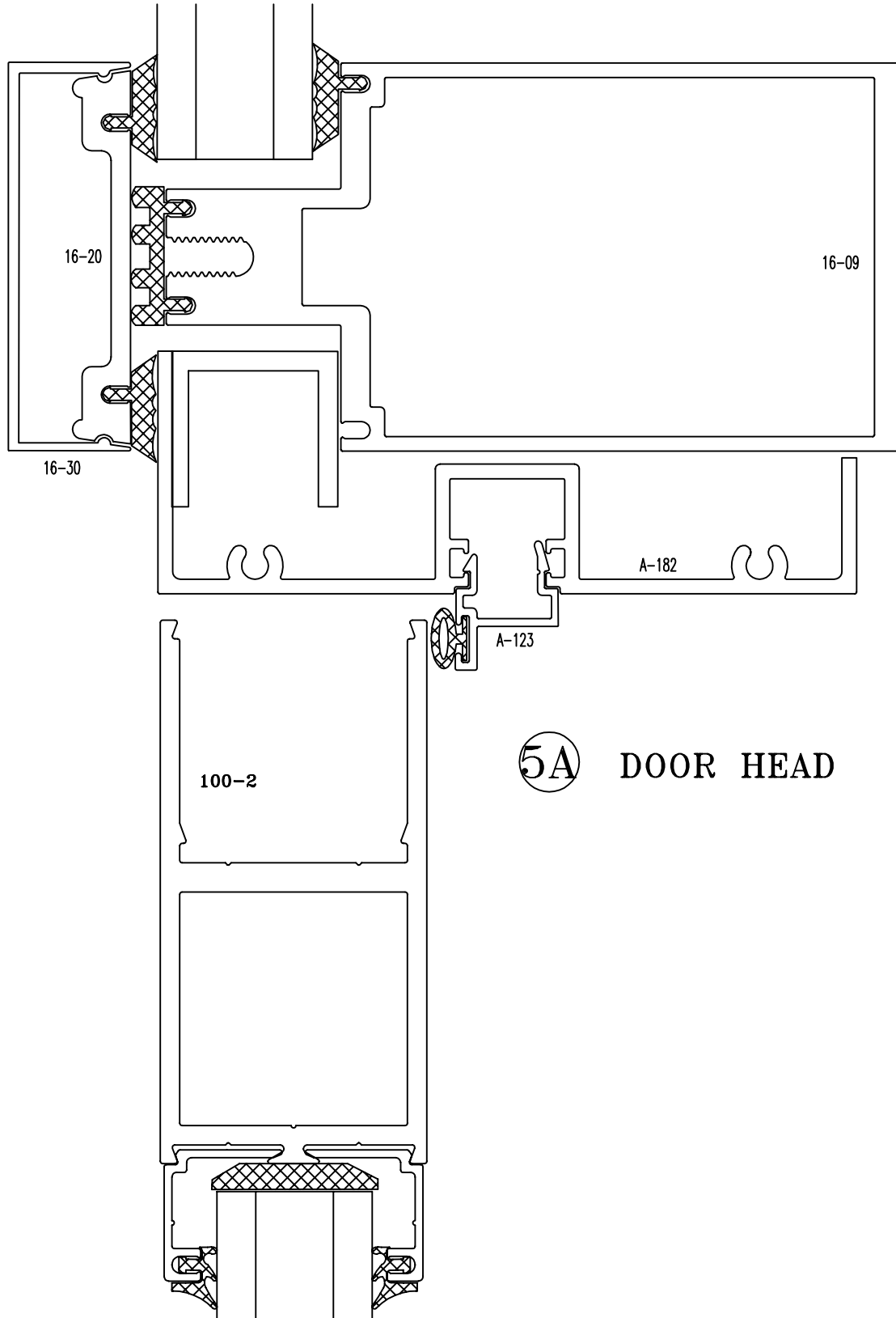


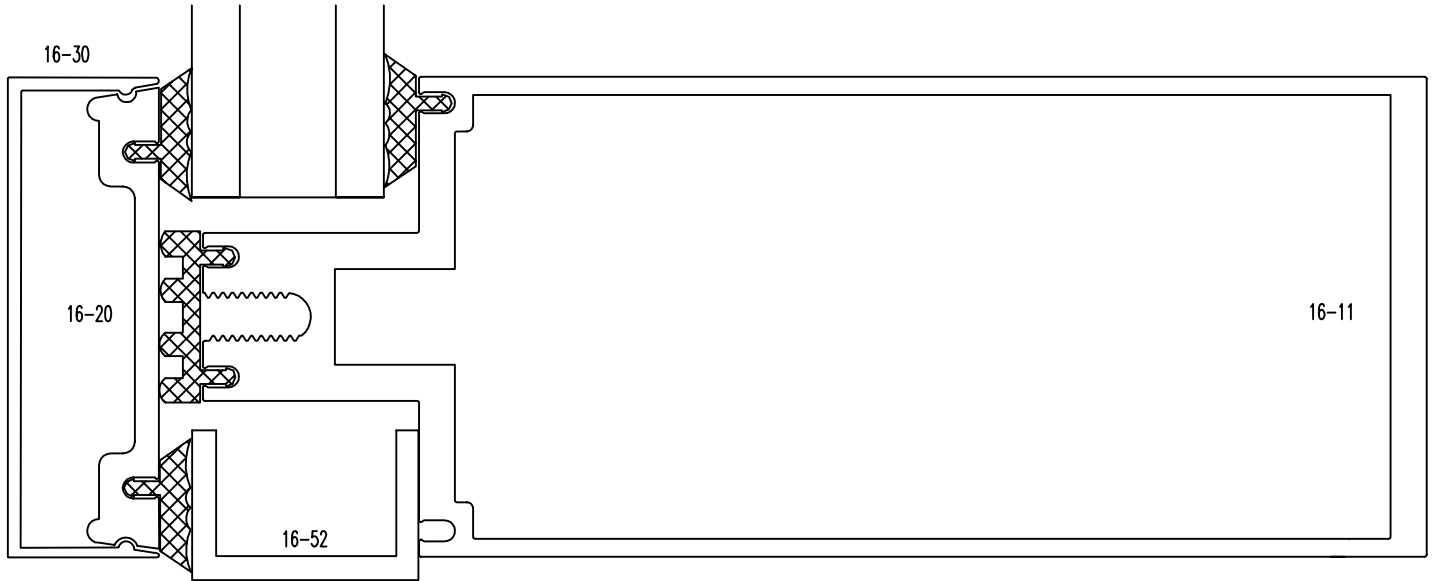
④ HORIZONTAL

④A HORIZONTAL



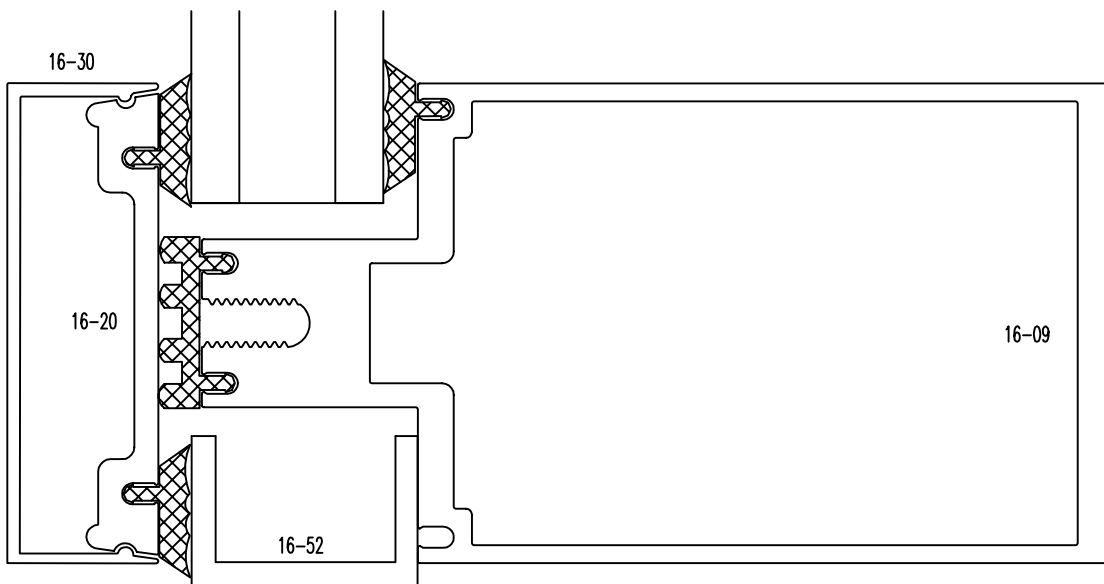


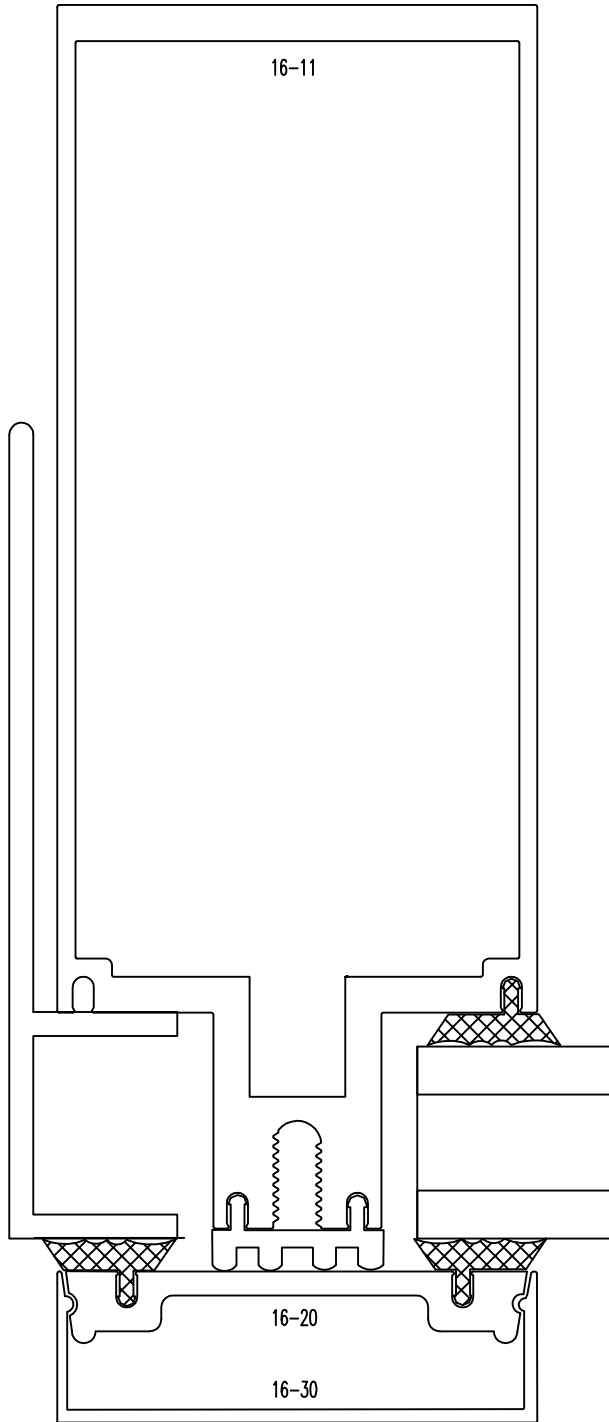




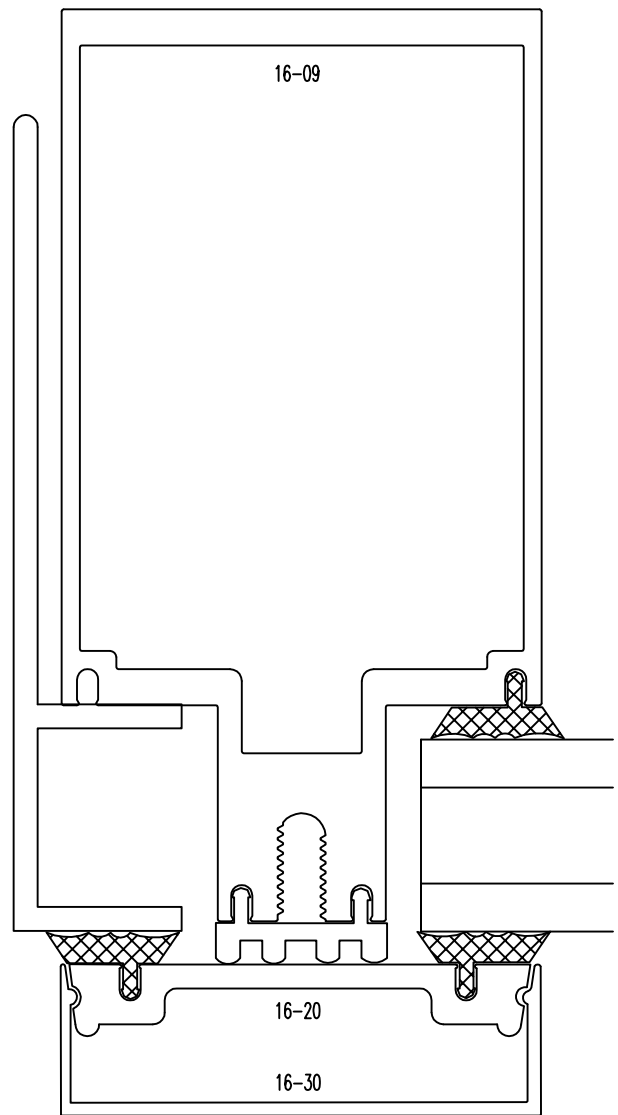
⑥ SILL

⑥A SILL

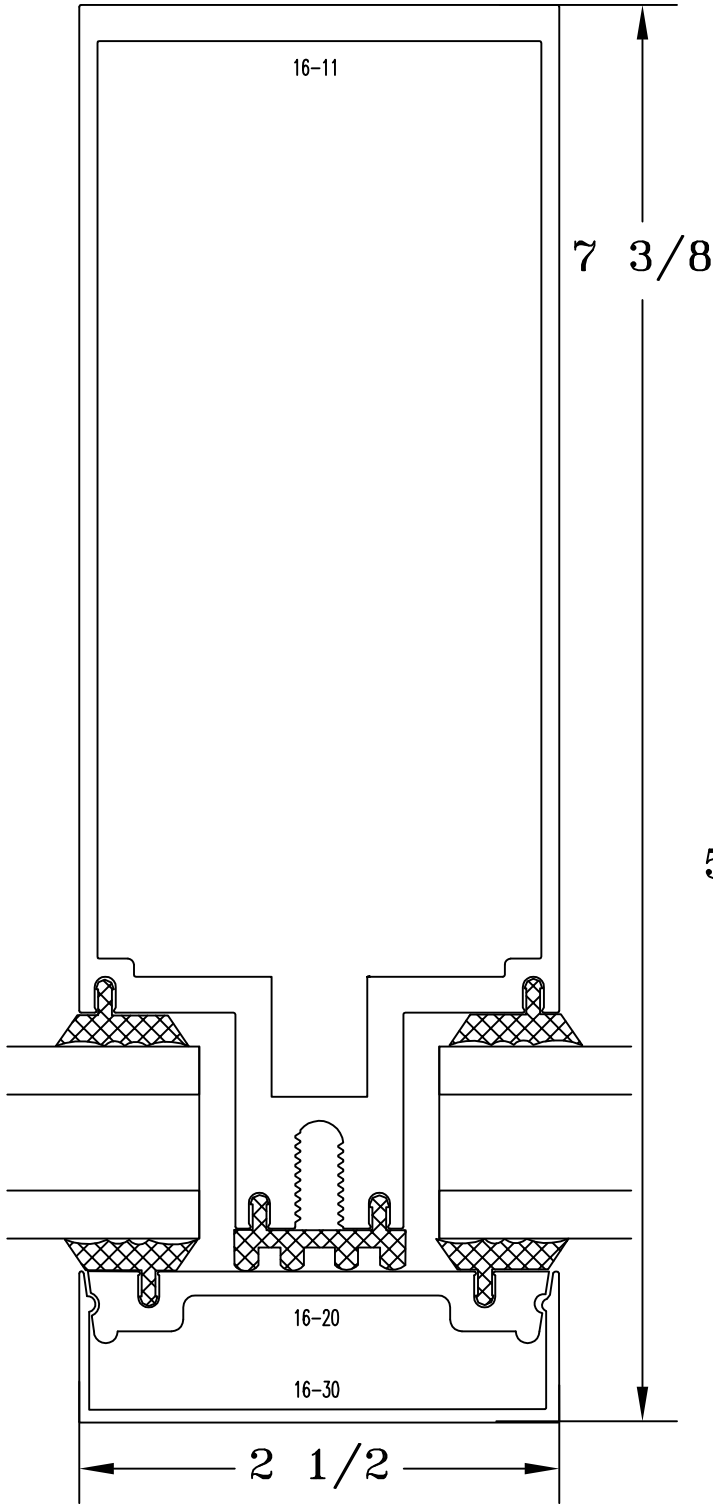




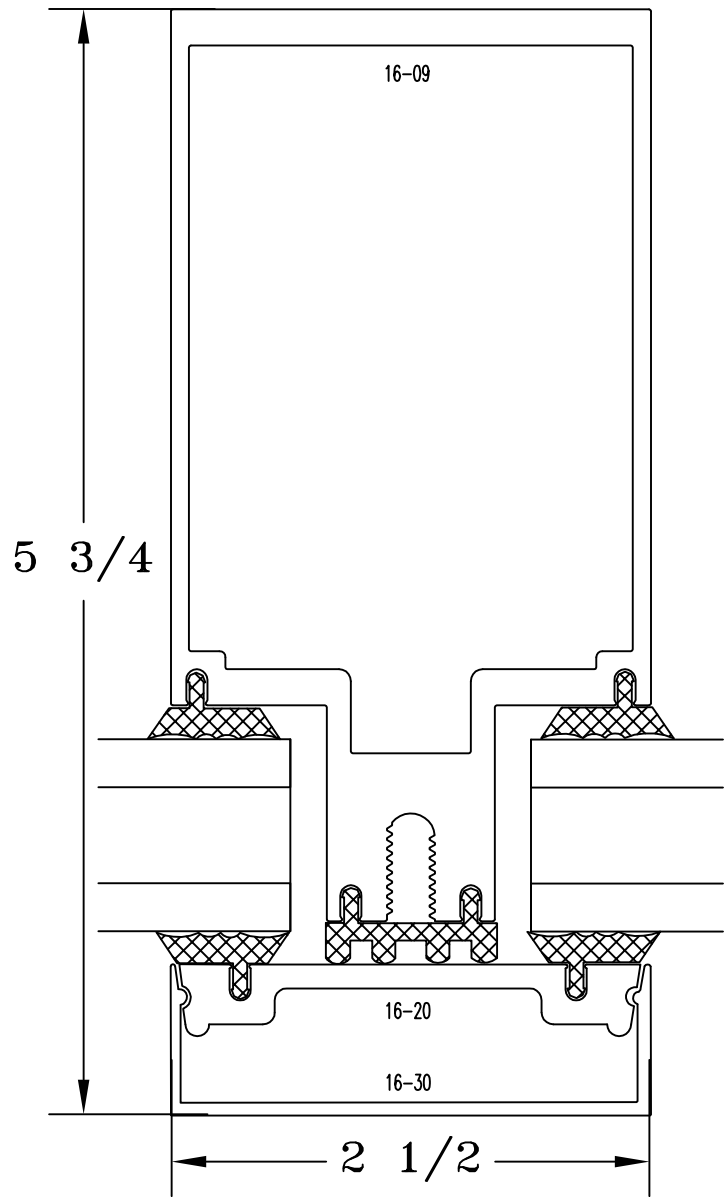
7 JAMB



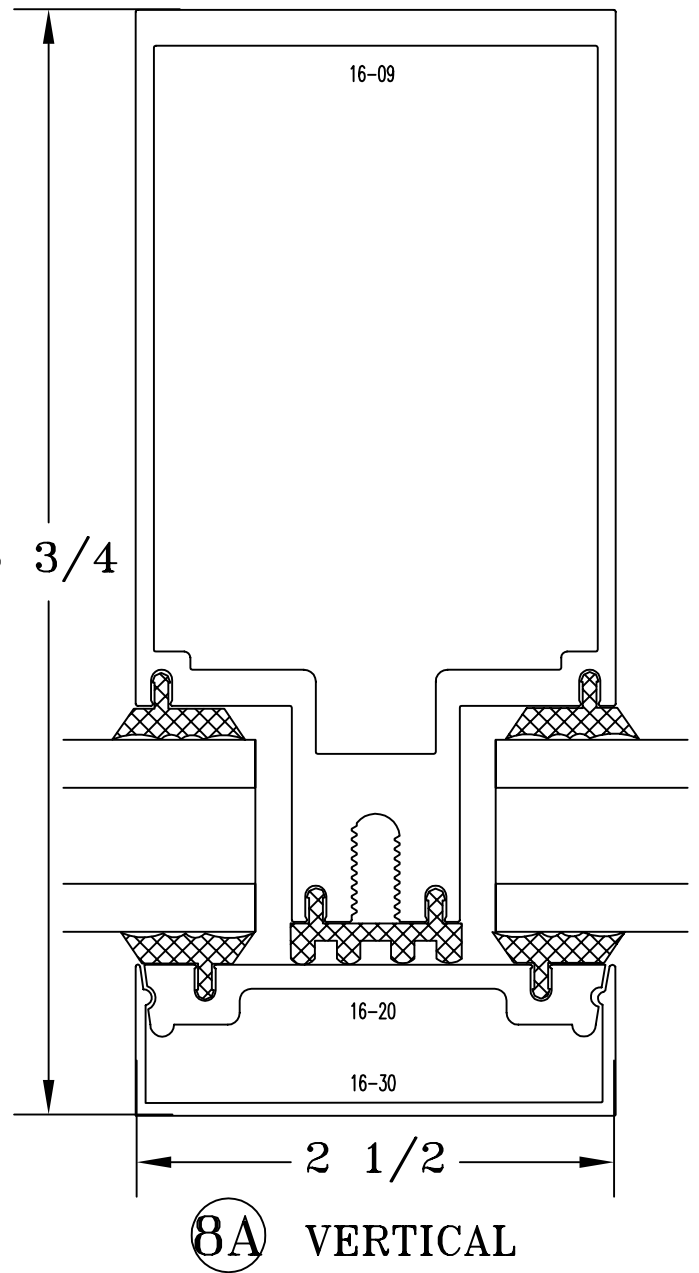
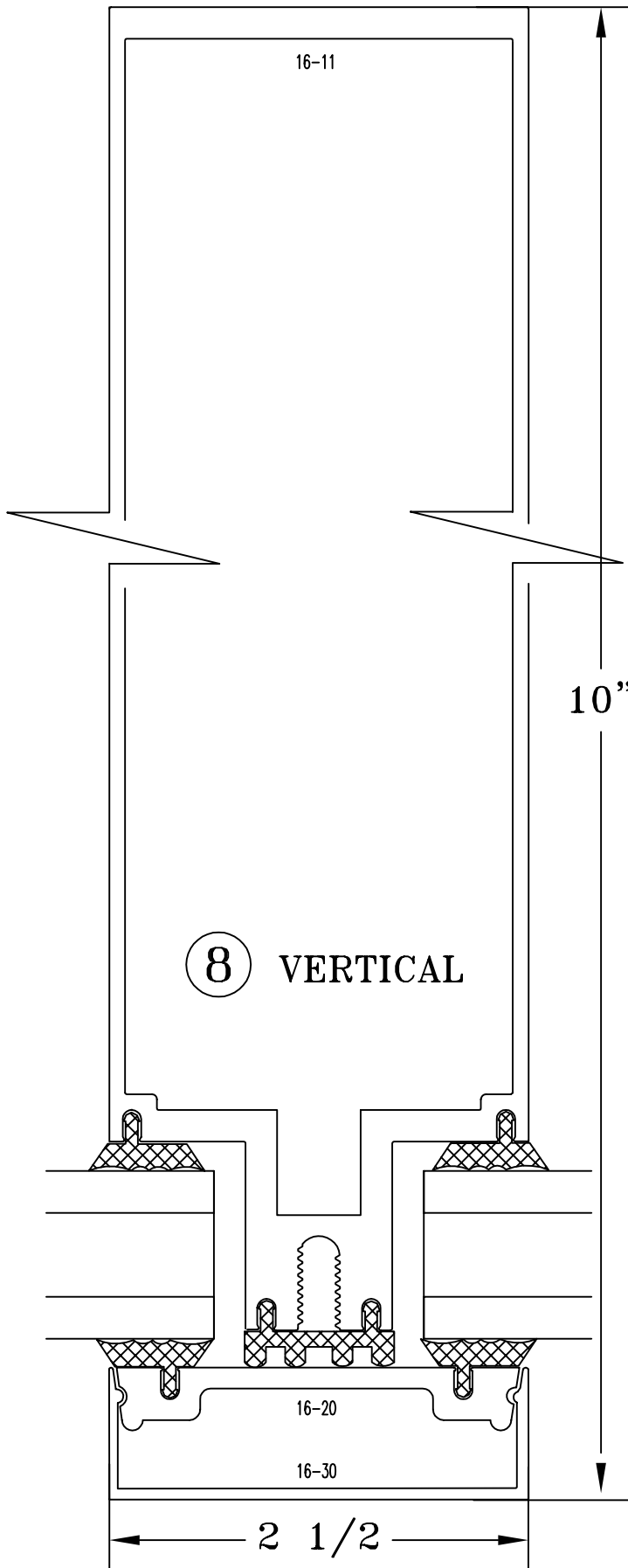
7A JAMB

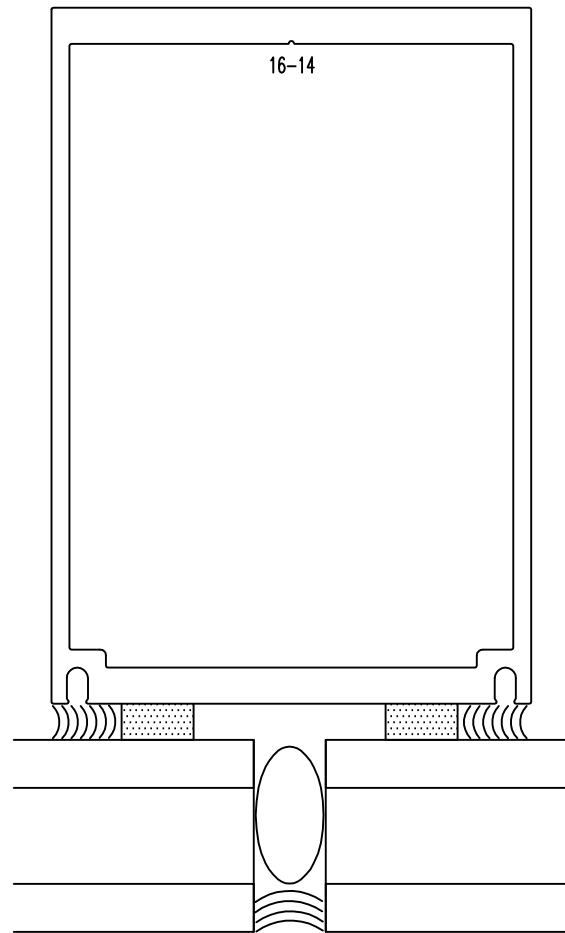
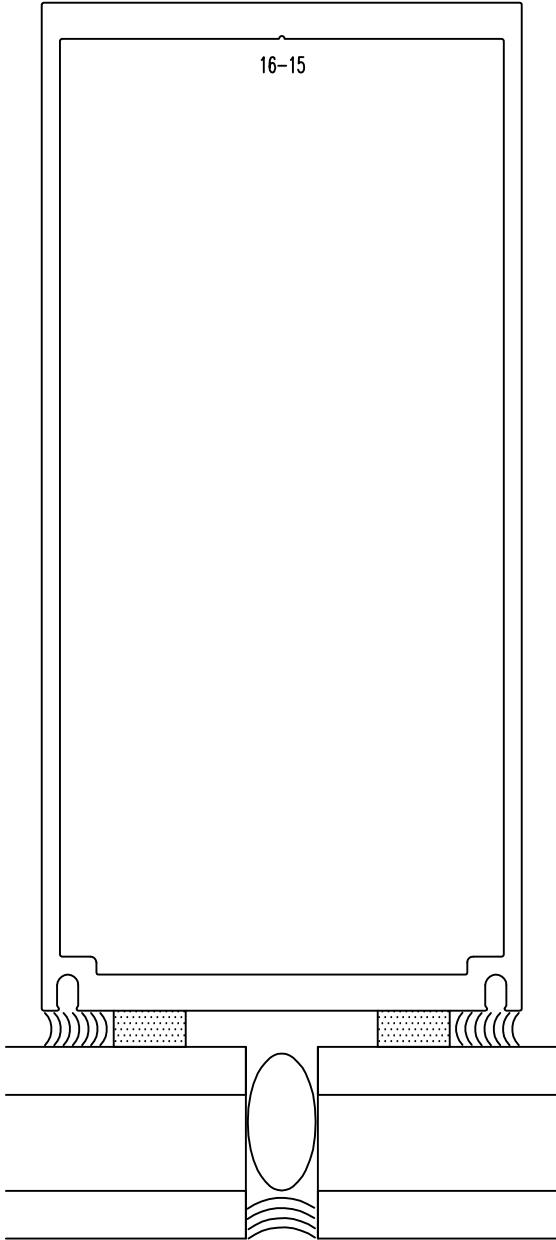


⑧ VERTICAL



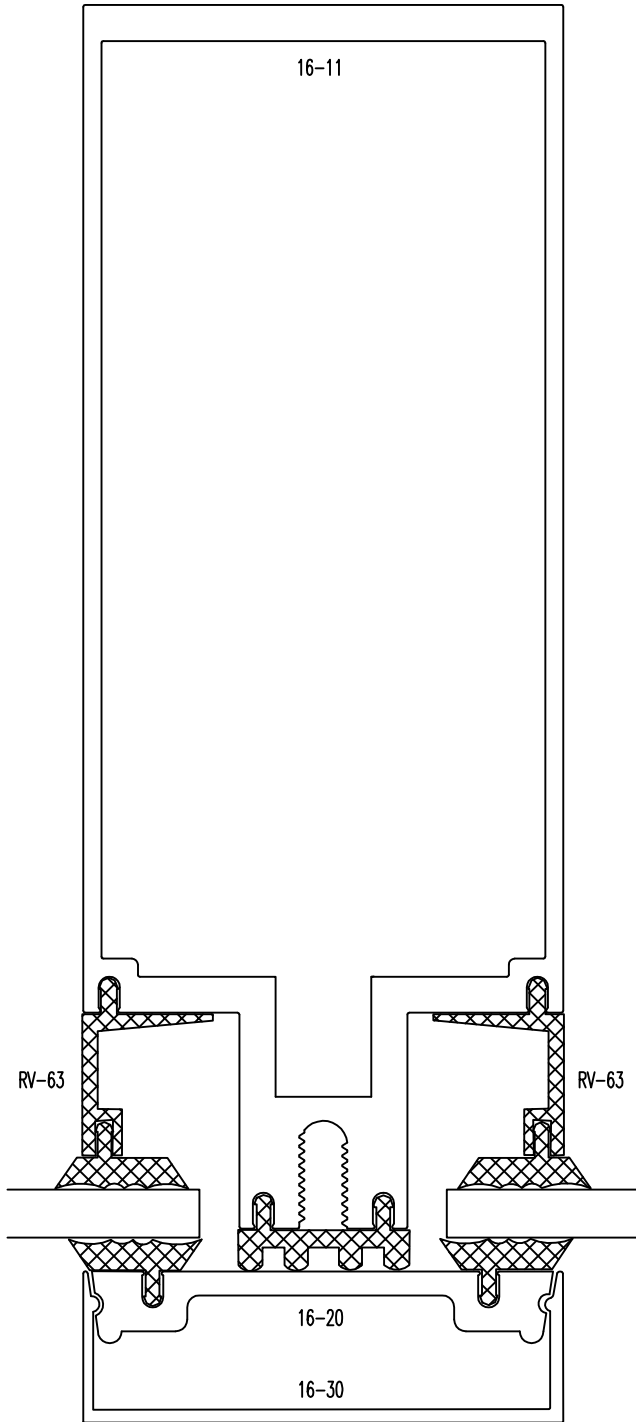
⑧A VERTICAL



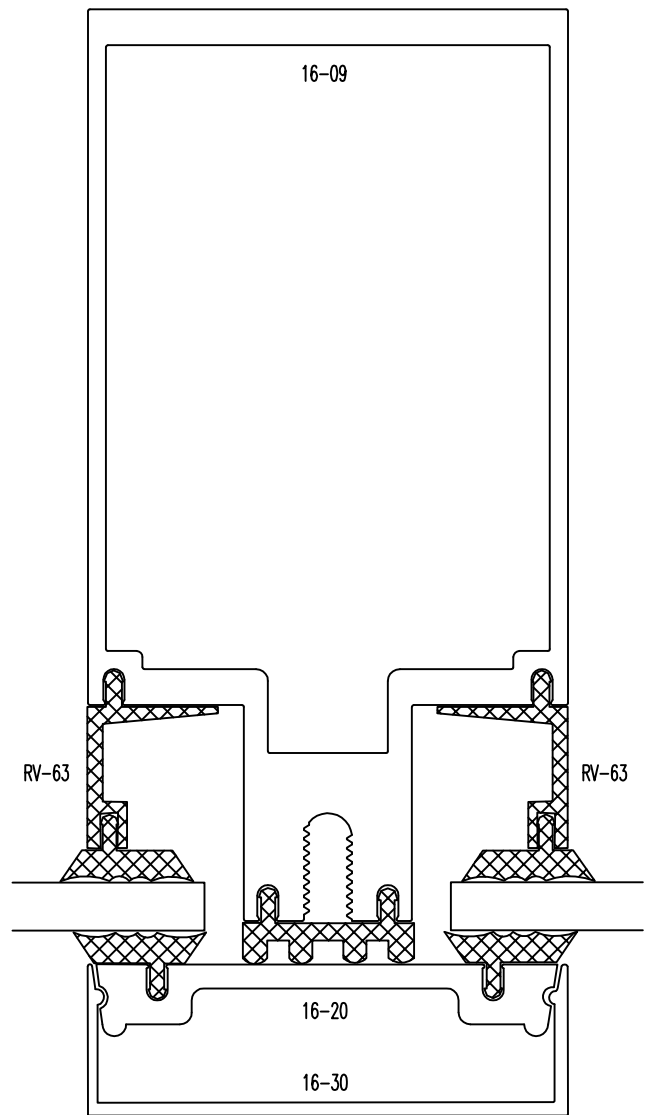


8B VERTICAL BUTT GLAZE

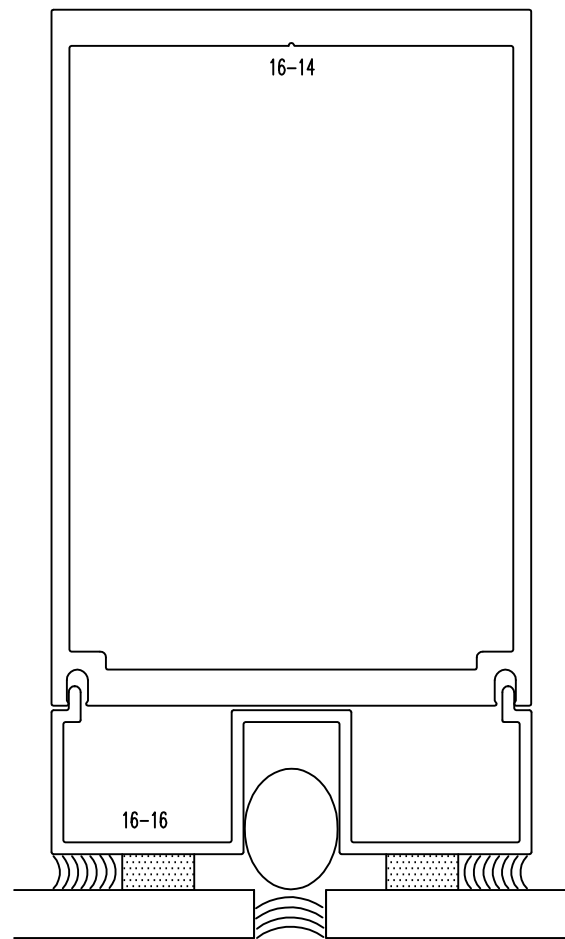
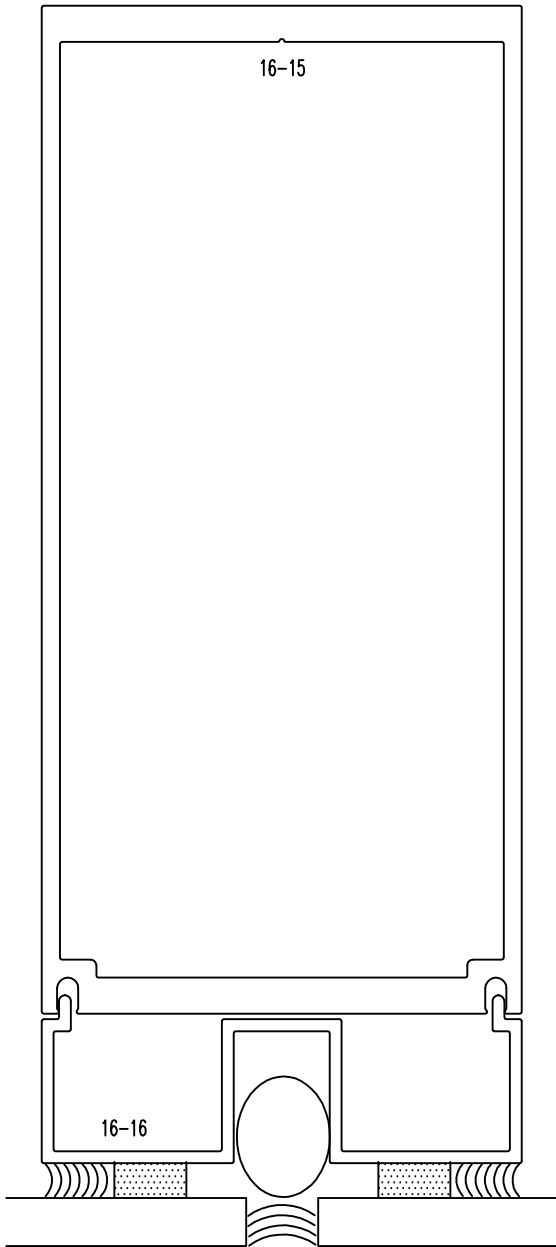
8C VERTICAL BUTT GLAZE



9 VERTICAL



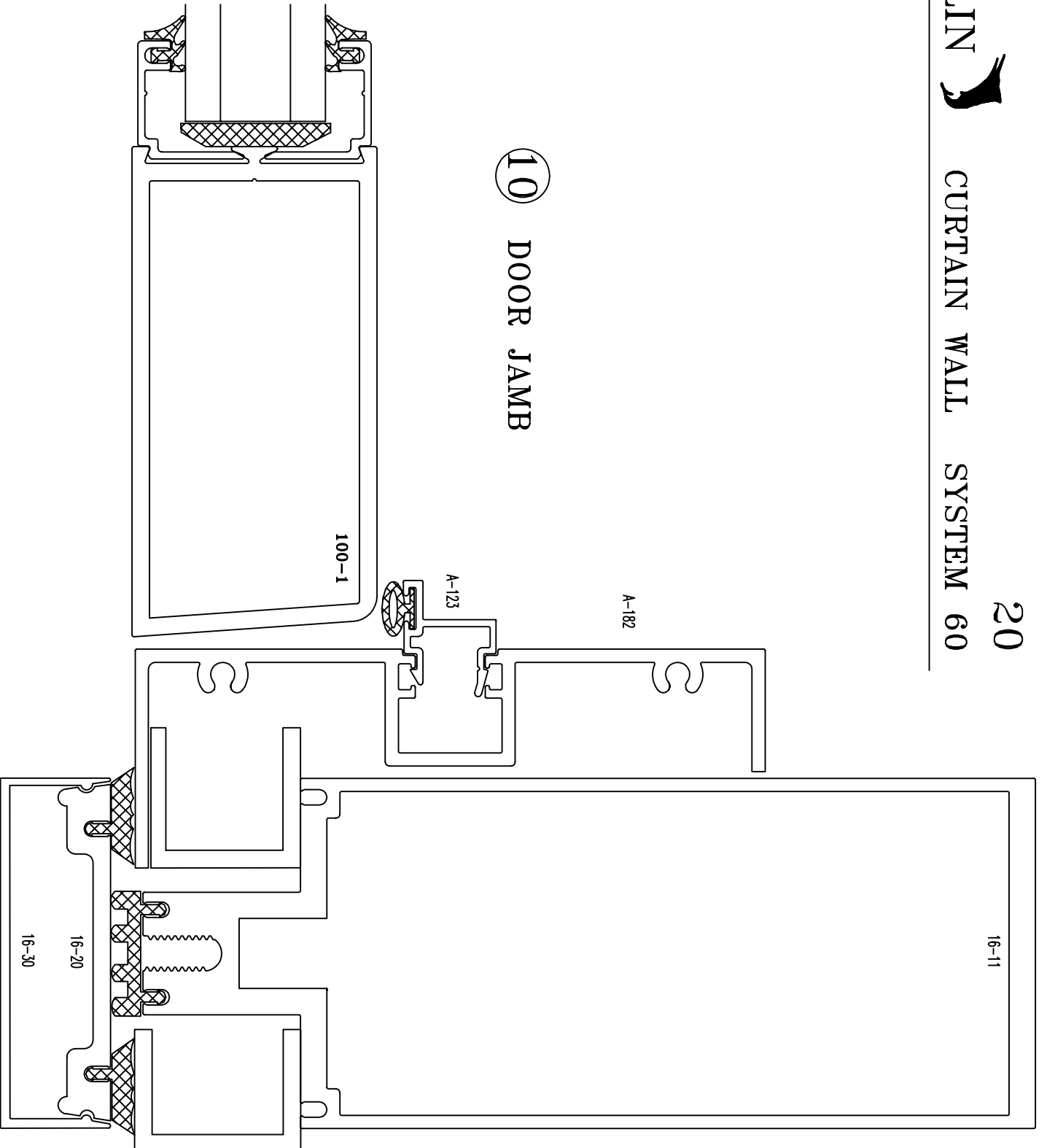
9A VERTICAL

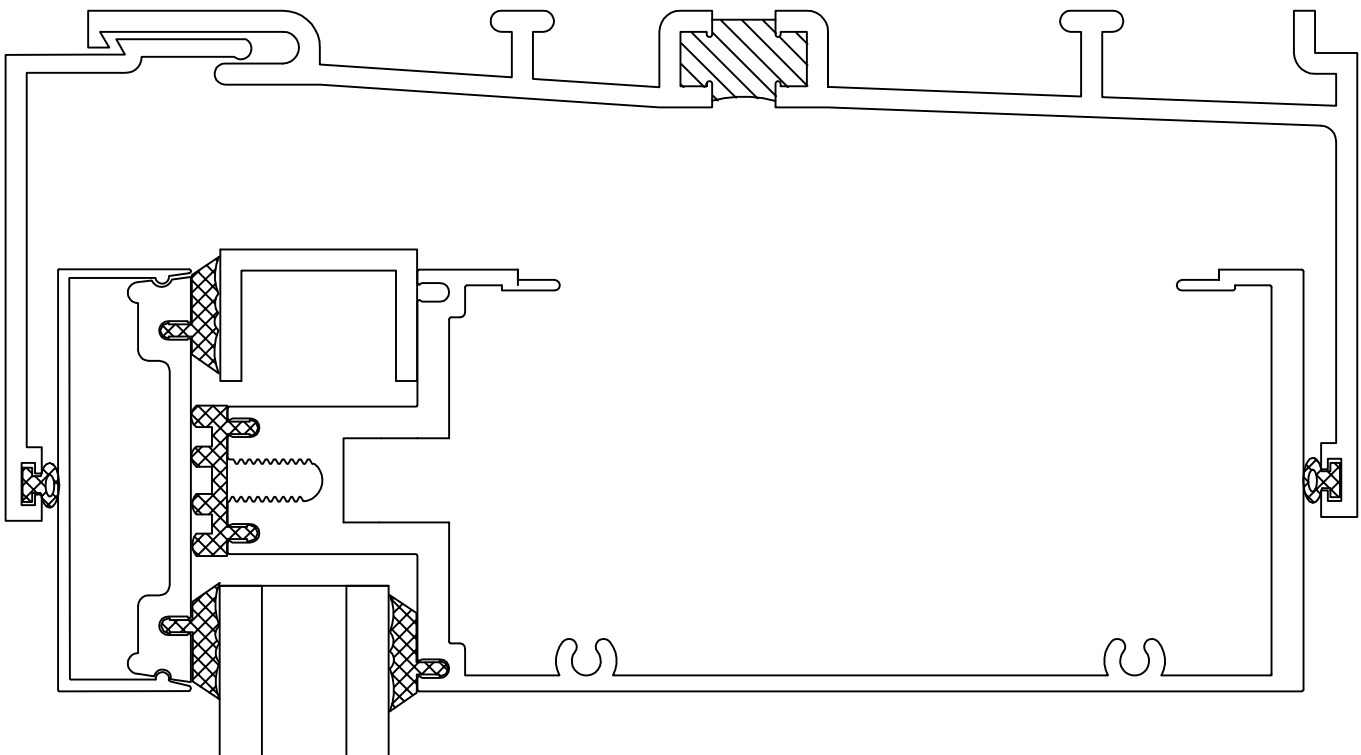


9B VERTICAL BUTT GLAZE

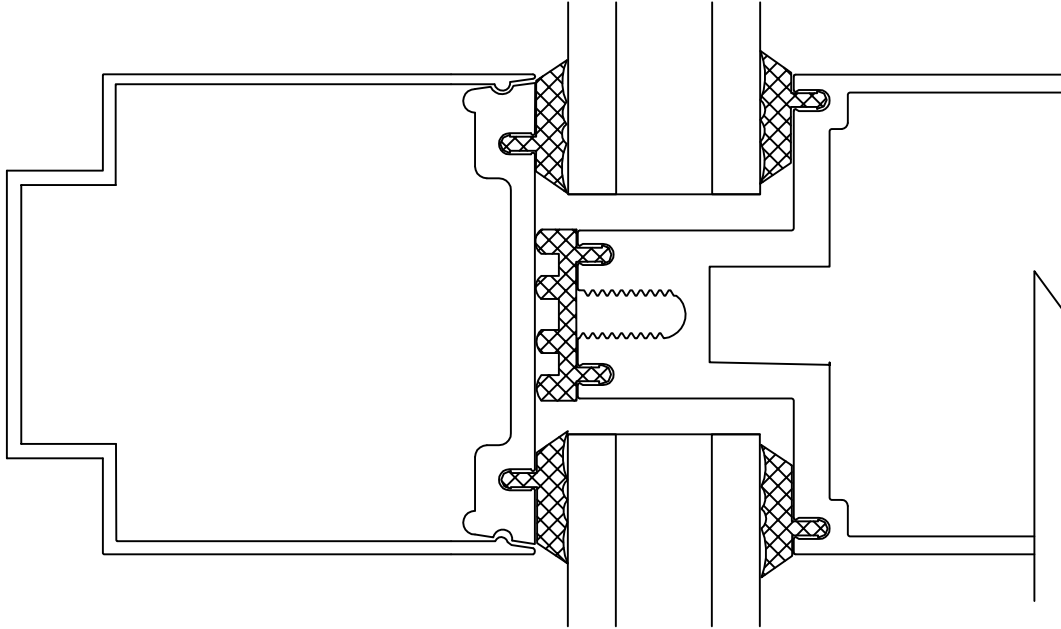
9C VERTICAL BUTT GLAZE

⑩ DOOR JAMB

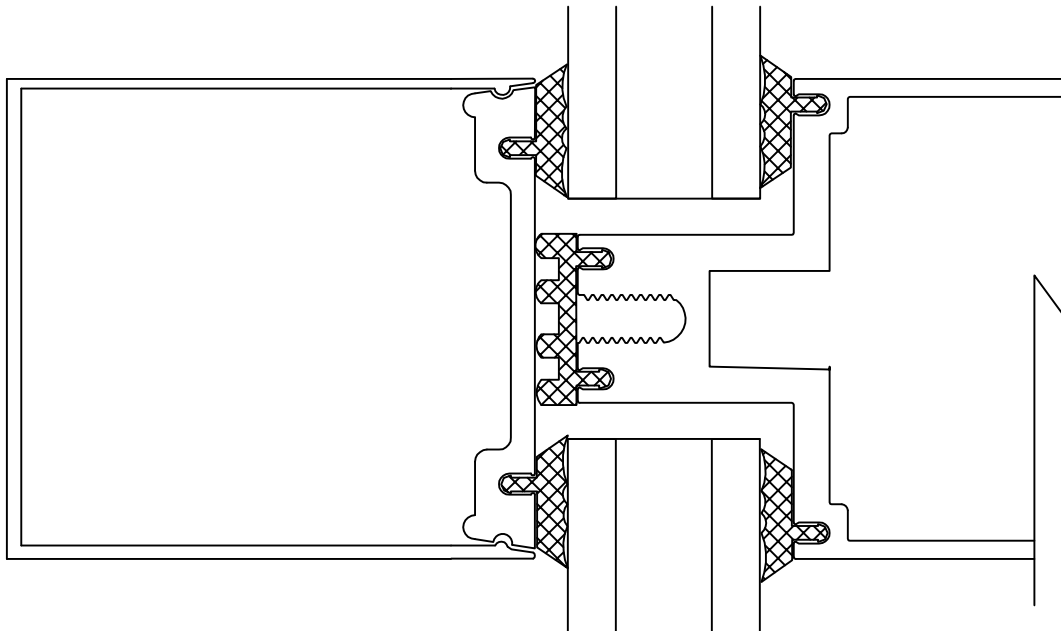




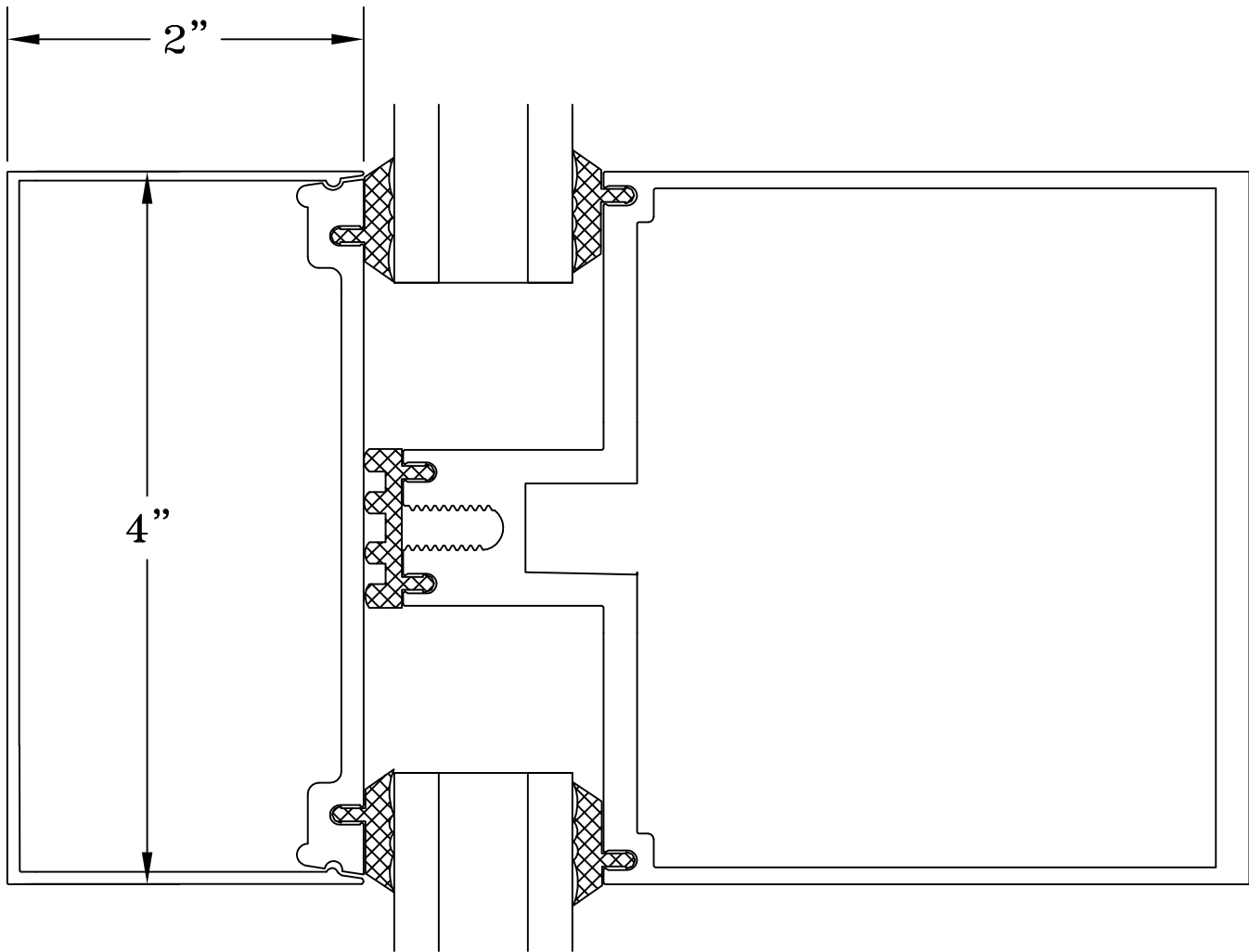
COMPENSATING
HEAD CHANNEL



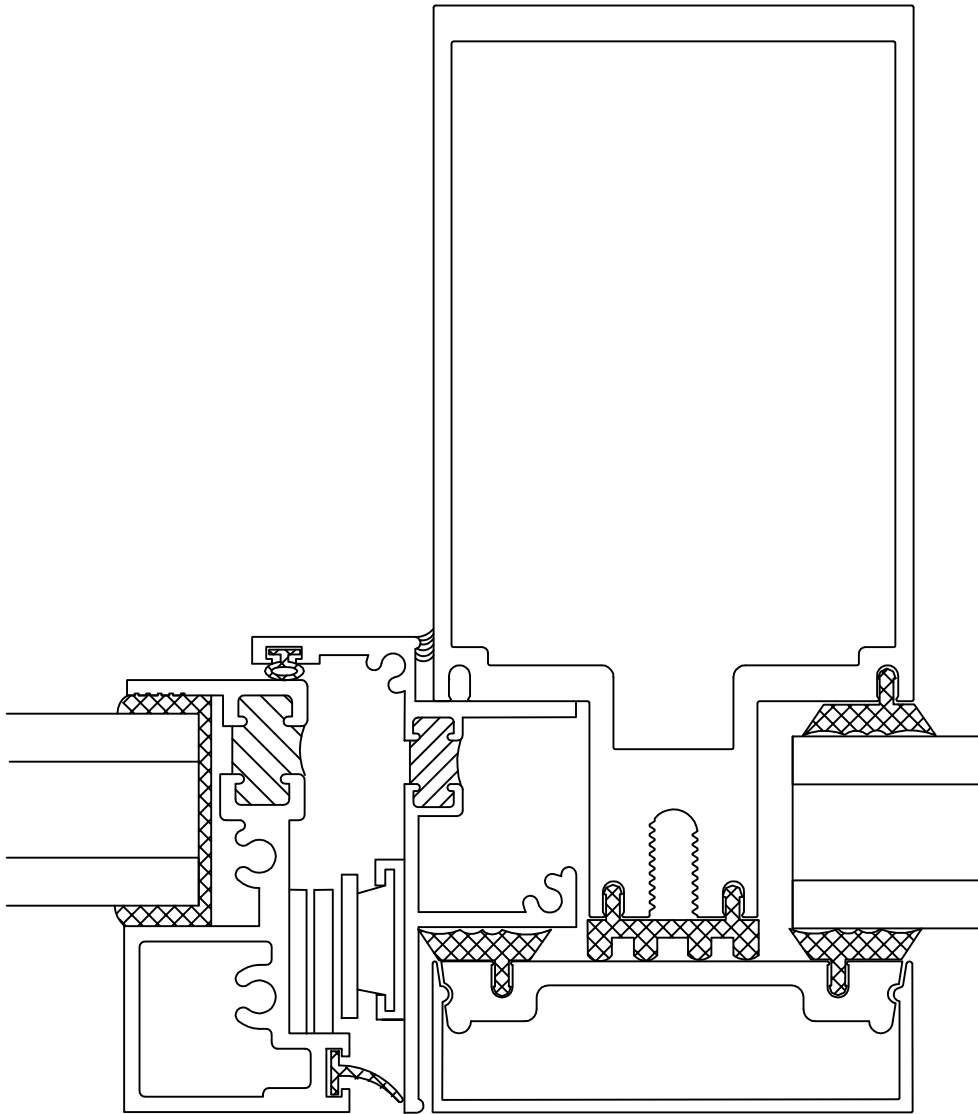
2 3/4" x 2 1/2" BEAUTY CAP



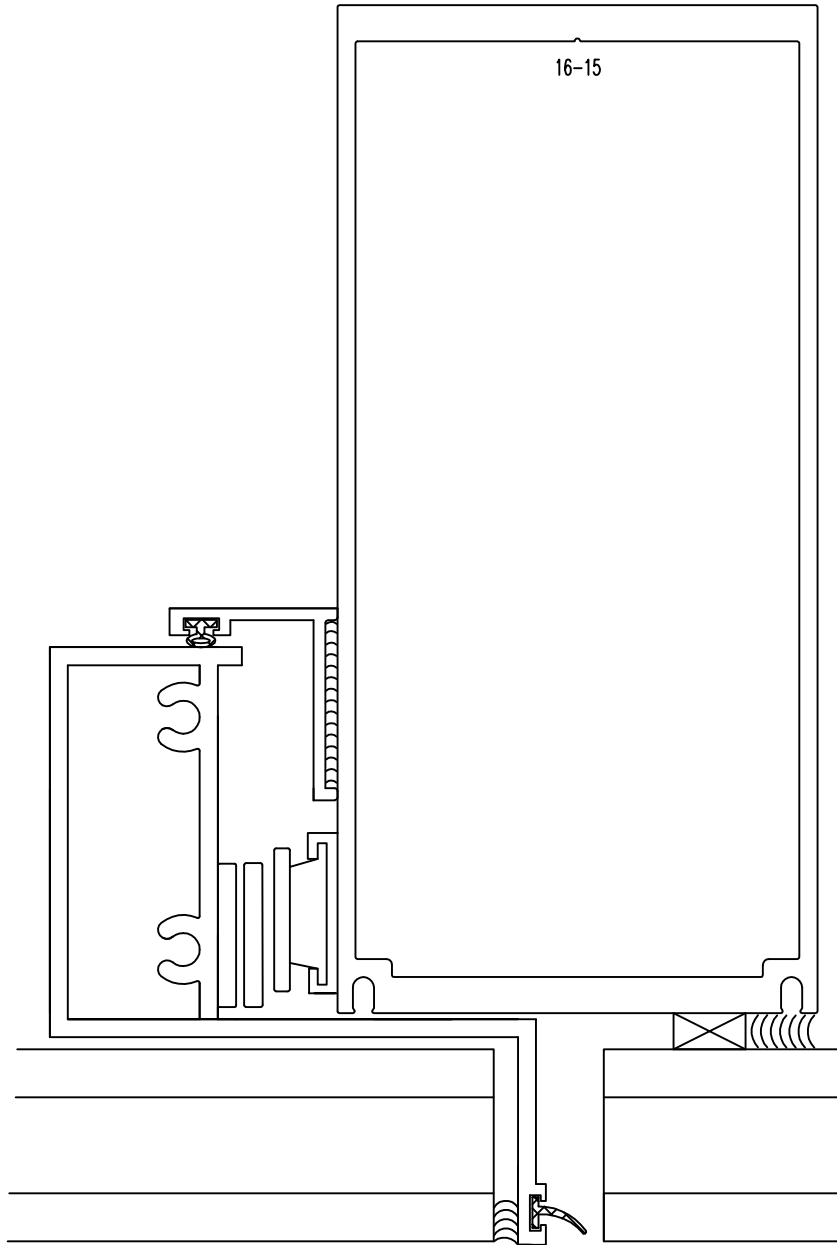
2 3/4" x 2 1/2" CAP



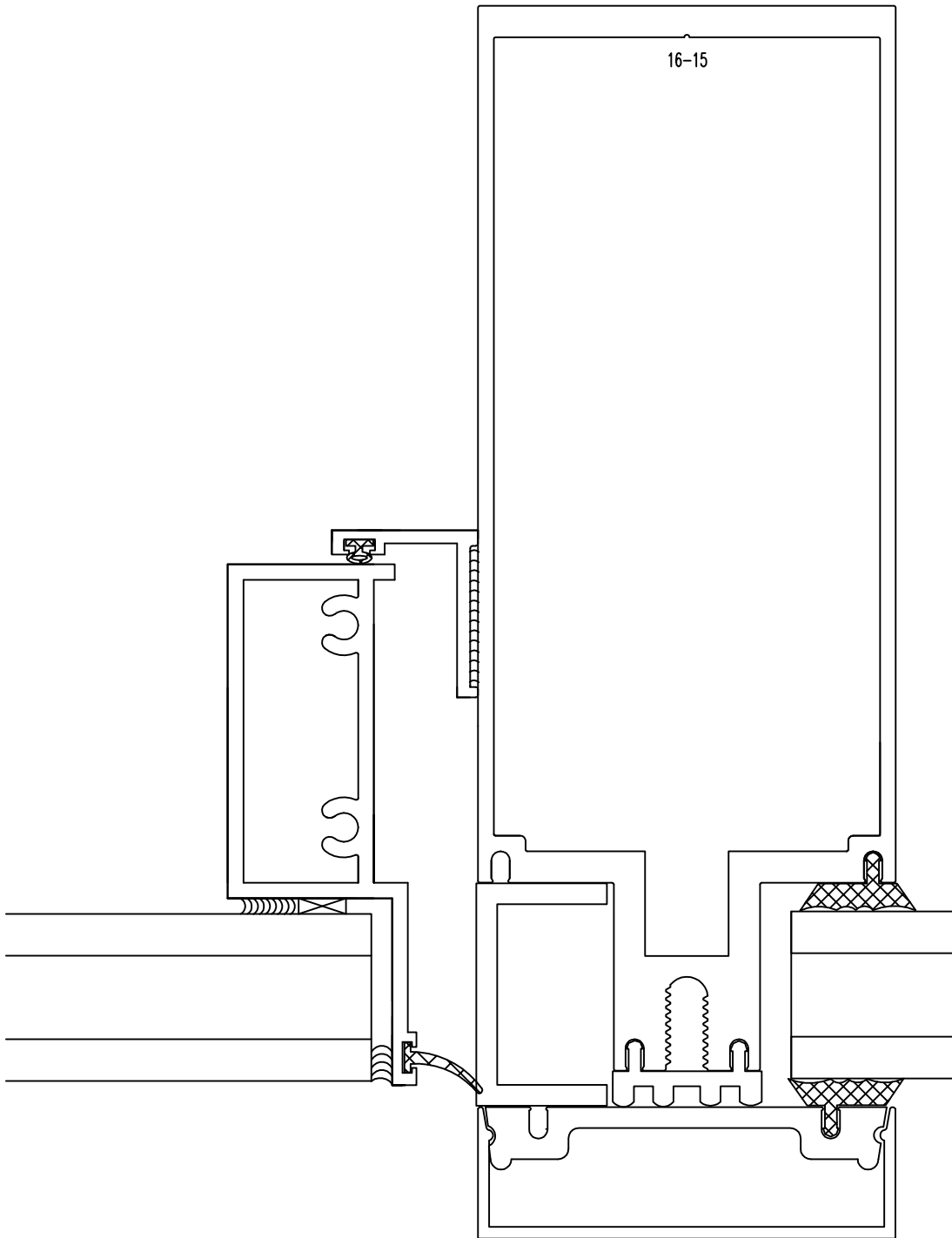
2" x 4" CAP W/4" HORIZONTAL



LOW PROFILE VENT



CONCEALED CURTAINWALL
VENT @ BUTT GLAZE



CONCEALED CURTAINWALL VENT