

SPECIFICATIONS

GENERAL

Aluminum framing shall be Marlin System (45 or 45T thermally improved - Architect to specify) as manufactured by Marlin windows.

MATERIALS

All framing shall be aluminum extrusions of 6063-T5 alloy & temper. System 45T shall have a rigid polyurethane "thermal-barrier" as an integral contact between the interior and exterior aluminum sections including the door framing members utilizing a "thermal-break" door stop. Glazing gaskets shall be extruded E.P.D.M.

FINISH

Standard architectural Class II anodic color conforming to Aluminum Association AA-M12-C22-A34 for dark bronze or AA-M12-C22-A31 for clear anodize. (Architectural Class I and Class II anodic finishes and organic coatings available - specify).

CONSTRUCTION

Aluminum framing shall have a 2" face width and a depth of 6" and provide for flush glazing without projecting stops. The system shall use a continuous sub sill. Optional thermally improved concealed project-out vent (Architect specify). Additional sight line shall not exceed 1 3/8". (Consult factory for hardware and screen options.) **Maximum vent size 60" x 36"**.

PERFORMANCE

System shall be tested in accordance with AAMA 501 and meet the requirements of ASTM E 283 for air infiltration, and ASTM E 331 for water penetration, and ASTM E 330 for structural performance. Deflection of mullions shall be limited to L/175 when subjected to the project design pressure of _____ P.S.F. (Architect to specify).

GLAZING

Marlin system 45/45T shall accommodate 1" glazing as required. Provisions for 1/4" glazing shall be accommodated by use of an adapter.

INSTALLATION

Glass and framing shall be installed straight, plumb, and level without twisting and securely anchored in place. All joints between framing and the building exterior shall be sealed to provide a watertight installation.

PROTECTION AND CLEANING

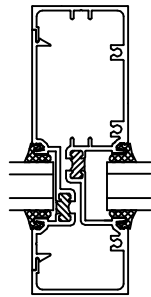
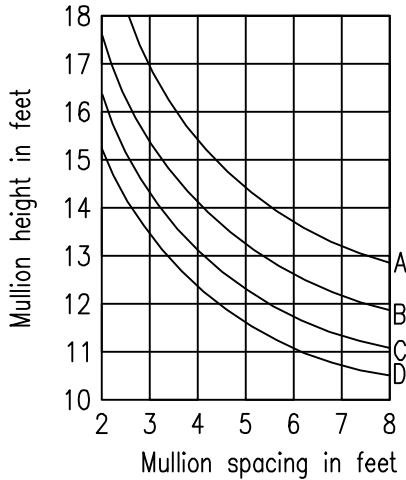
The General Contractor shall provide adequate protection of the aluminum and glass surfaces from damage by grinding compound, lime, acids, cement or other contaminants. The General Contractor shall be responsible for final cleaning.

WIND LOAD CHARTS

DEFLECTION LIMITED TO L/175

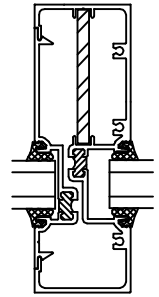
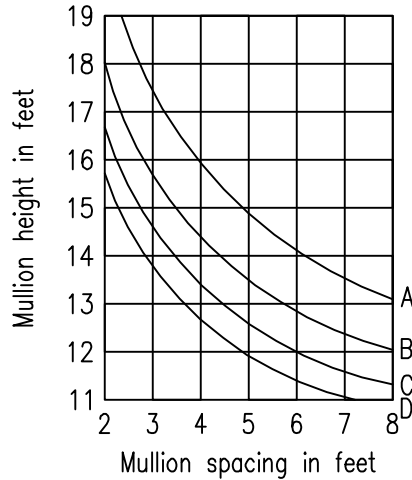
- A = 15 PSF
- B = 20 PSF
- C = 25 PSF
- D = 30 PSF

I = 7.243
S = 1.977



45-682T
45-680T

w/ 1/4" STEEL (1.257)
I = 8.498

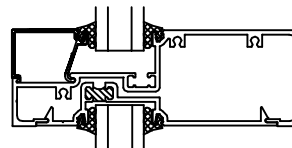
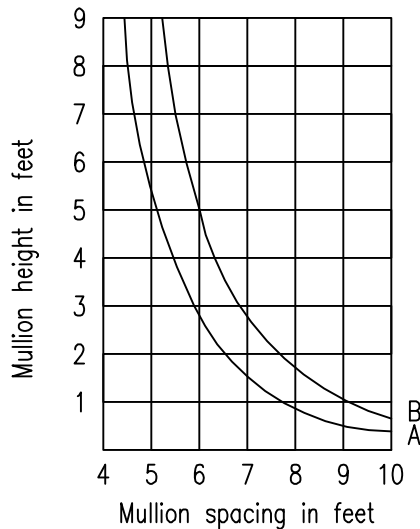


45-682T
45-680T

DEAD LOAD CHARTS

- 1/4 POINT LOADING (A)
- 1/8 POINT LOADING (B)

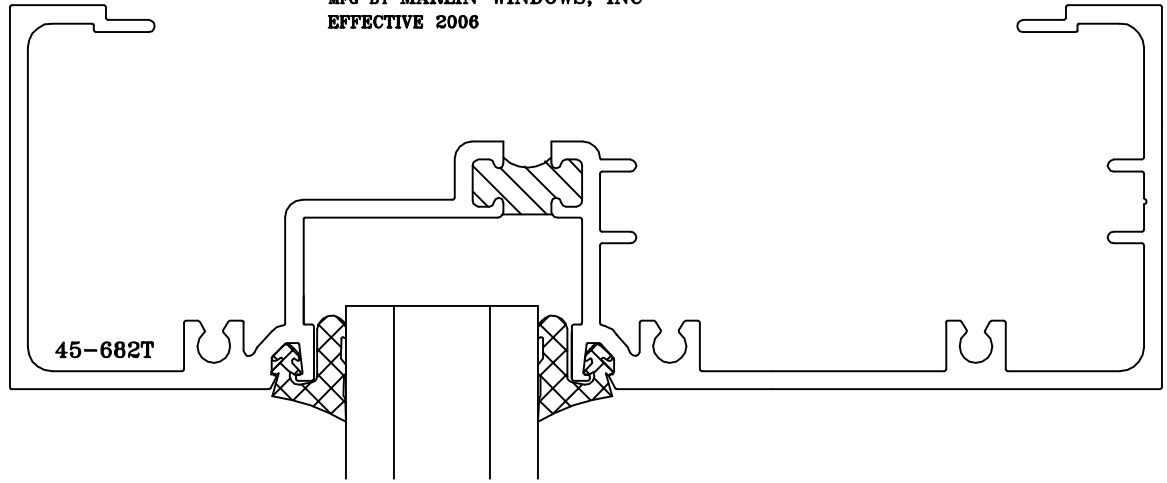
I = .441



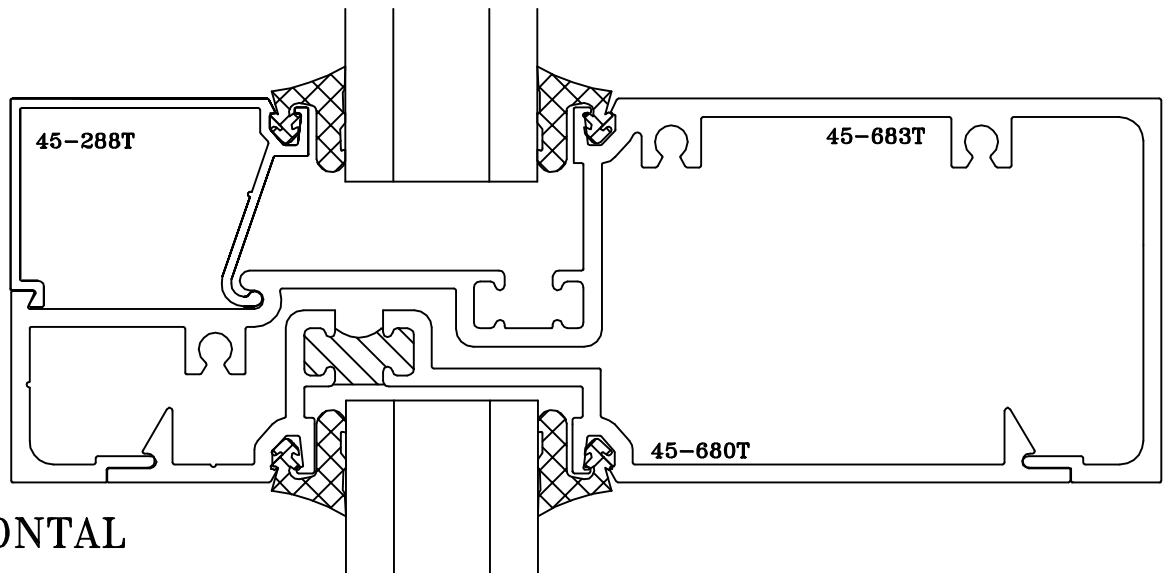
45-683T
45-288T

MFG BY MARLIN WINDOWS, INC
EFFECTIVE 2006

① HEAD

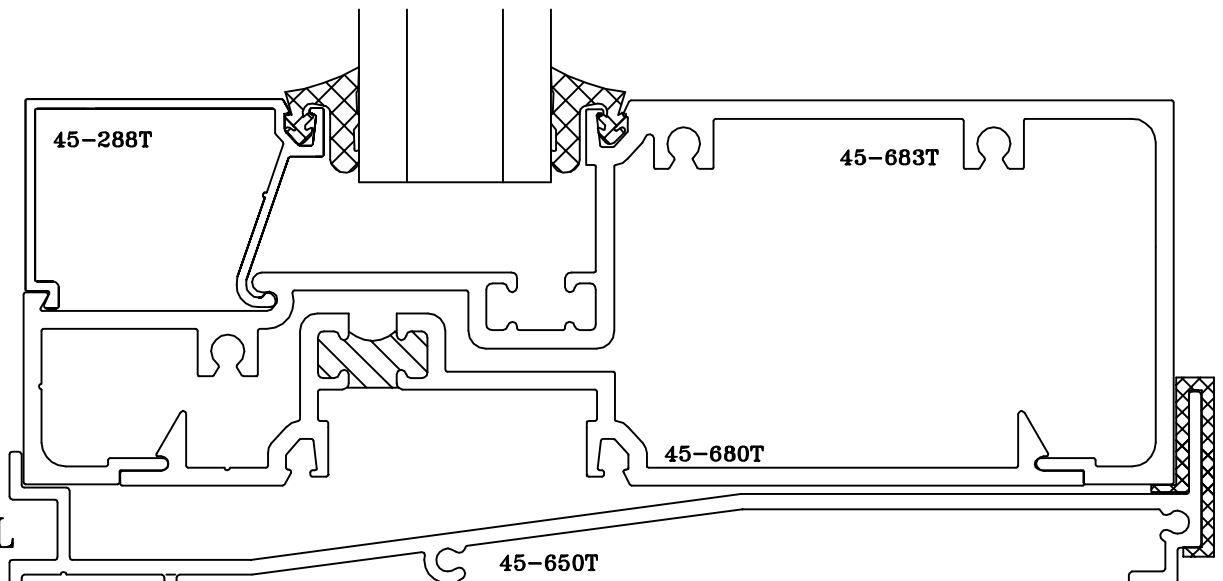


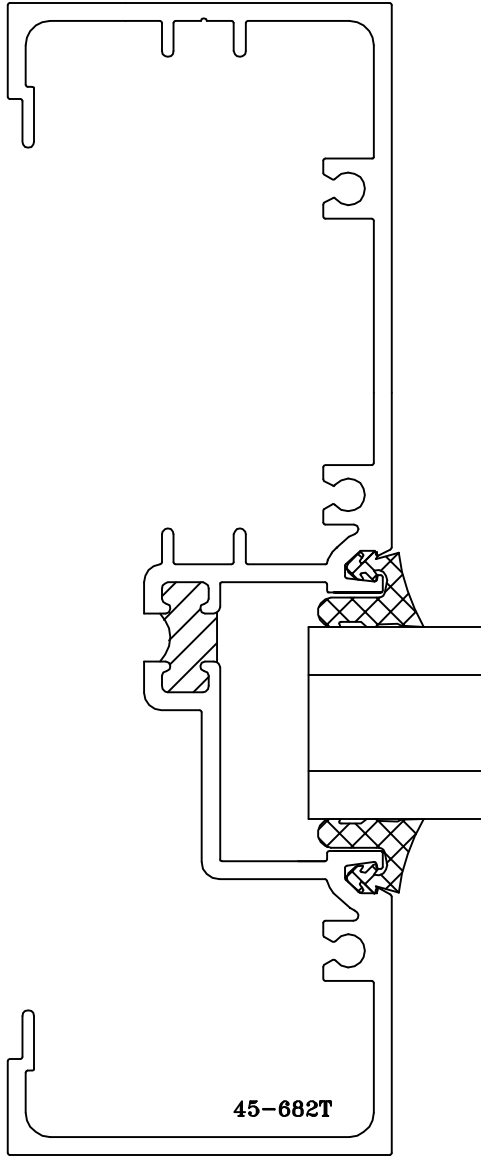
② HORIZONTAL



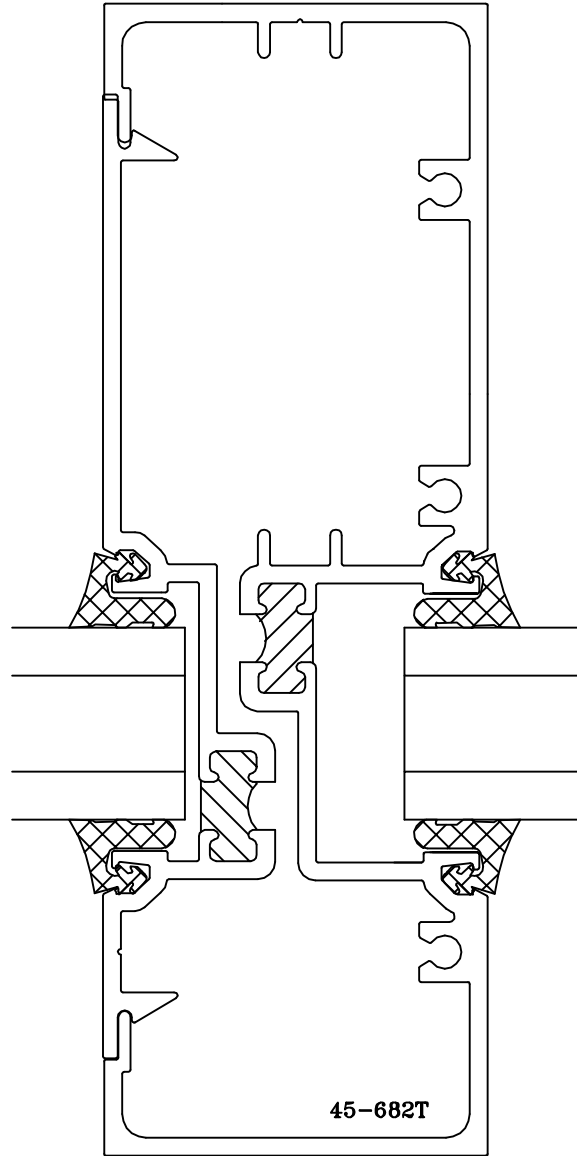
③ SILL

SUBSILL



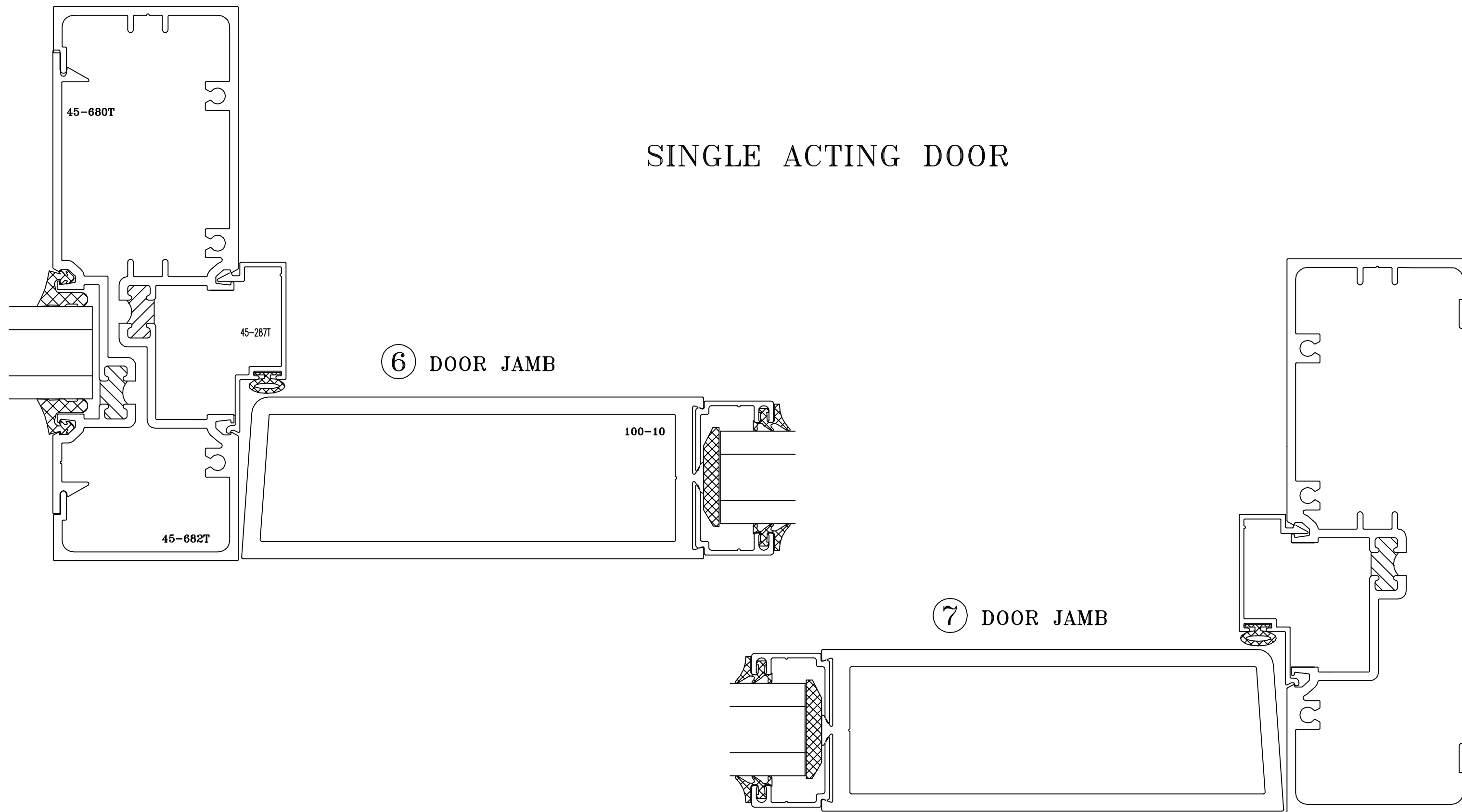


④ JAMB



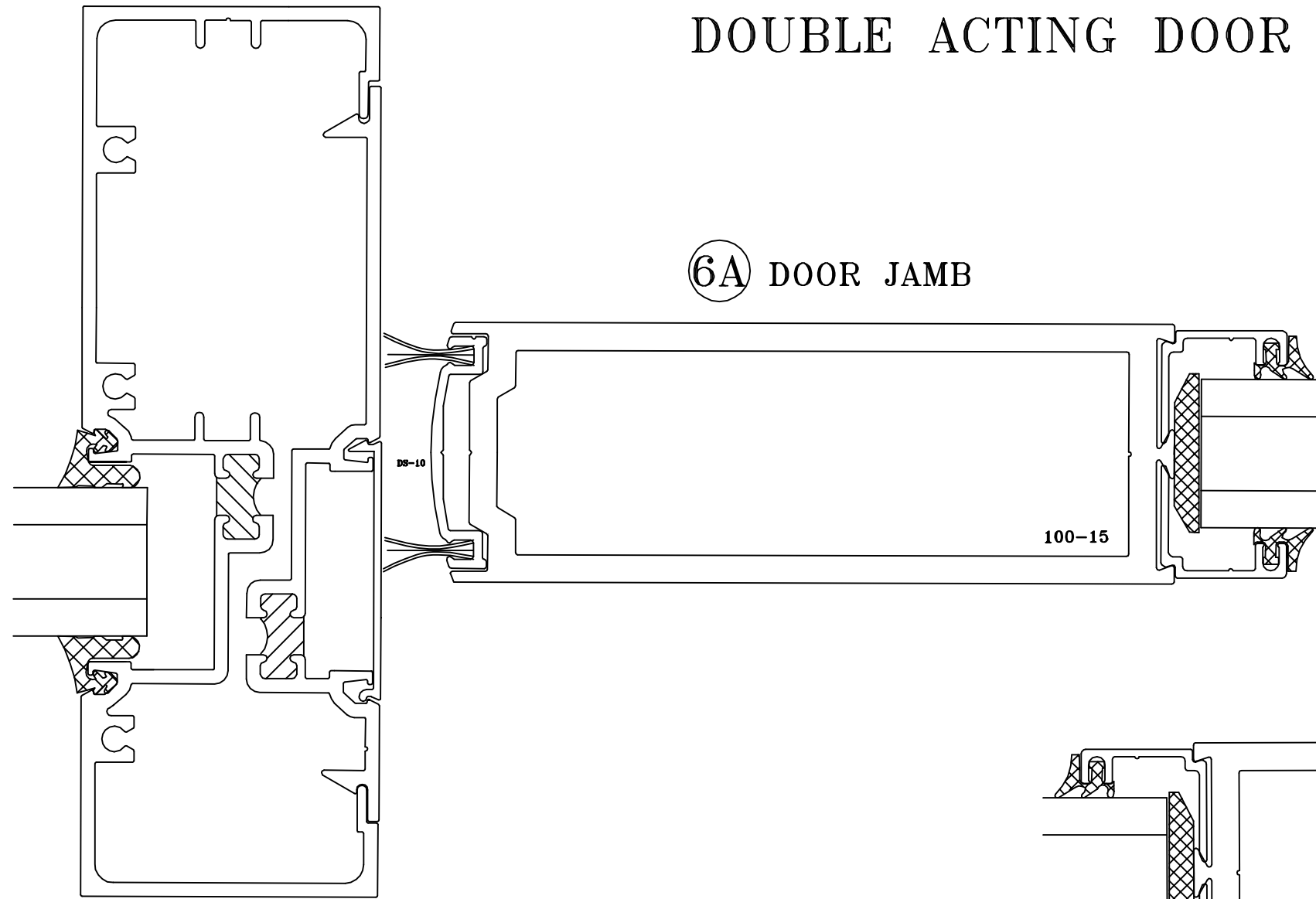
⑤ VERTICAL

SINGLE ACTING DOOR

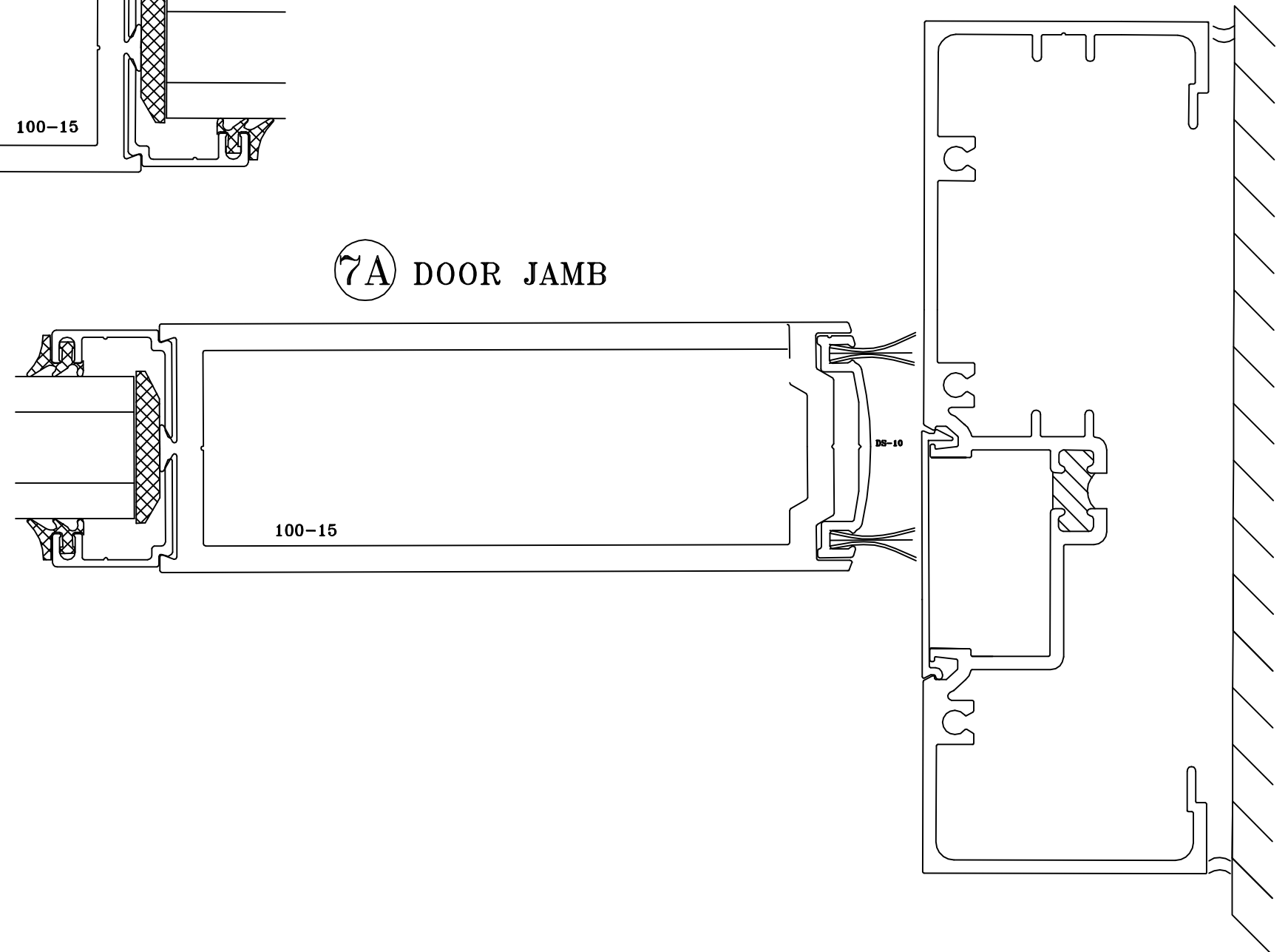


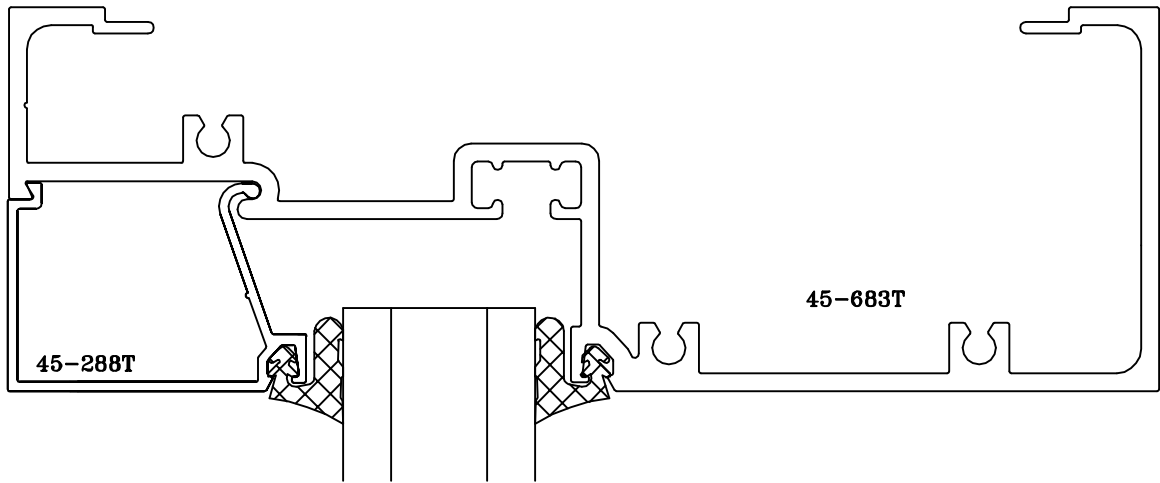
DOUBLE ACTING DOOR

6A DOOR JAMB

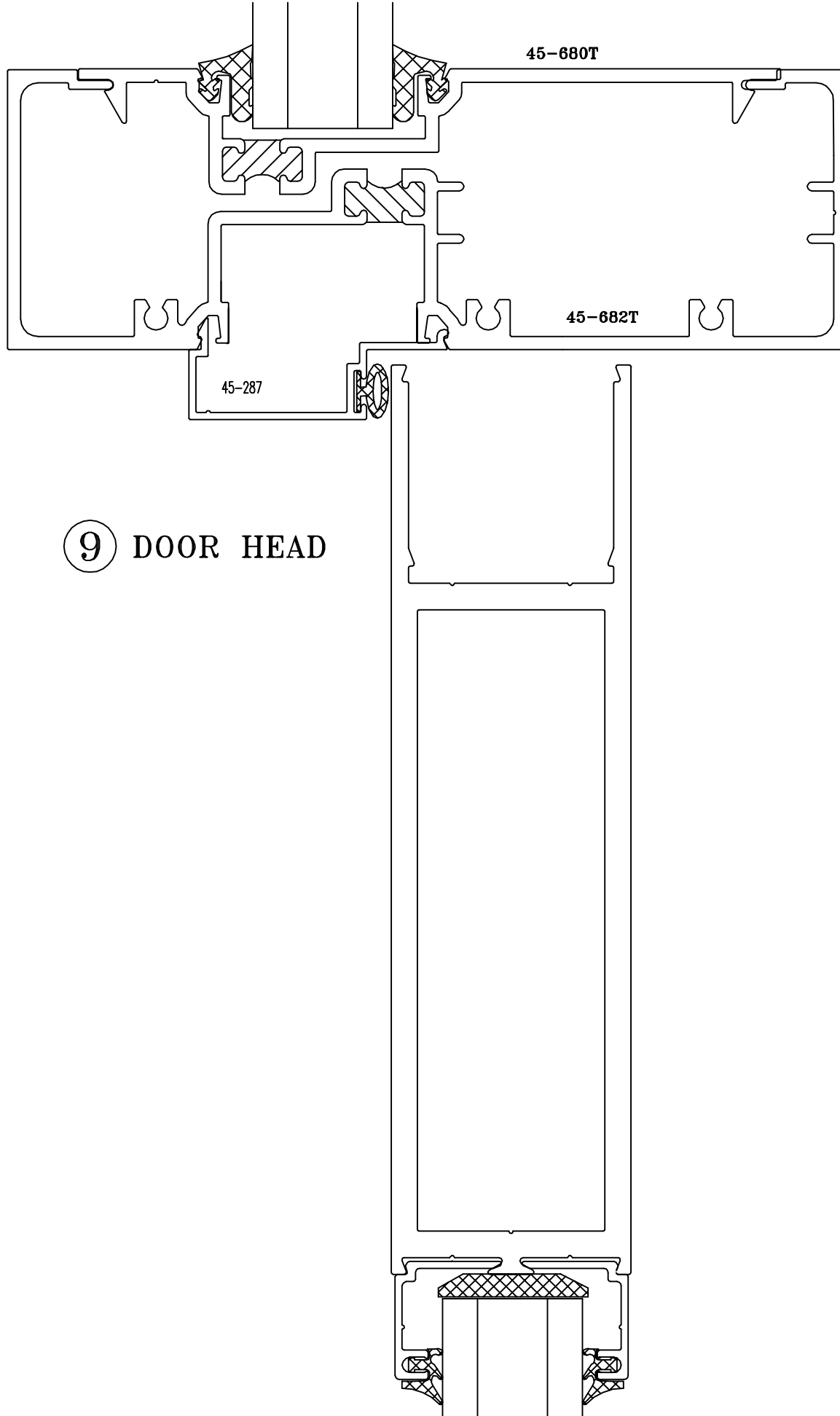


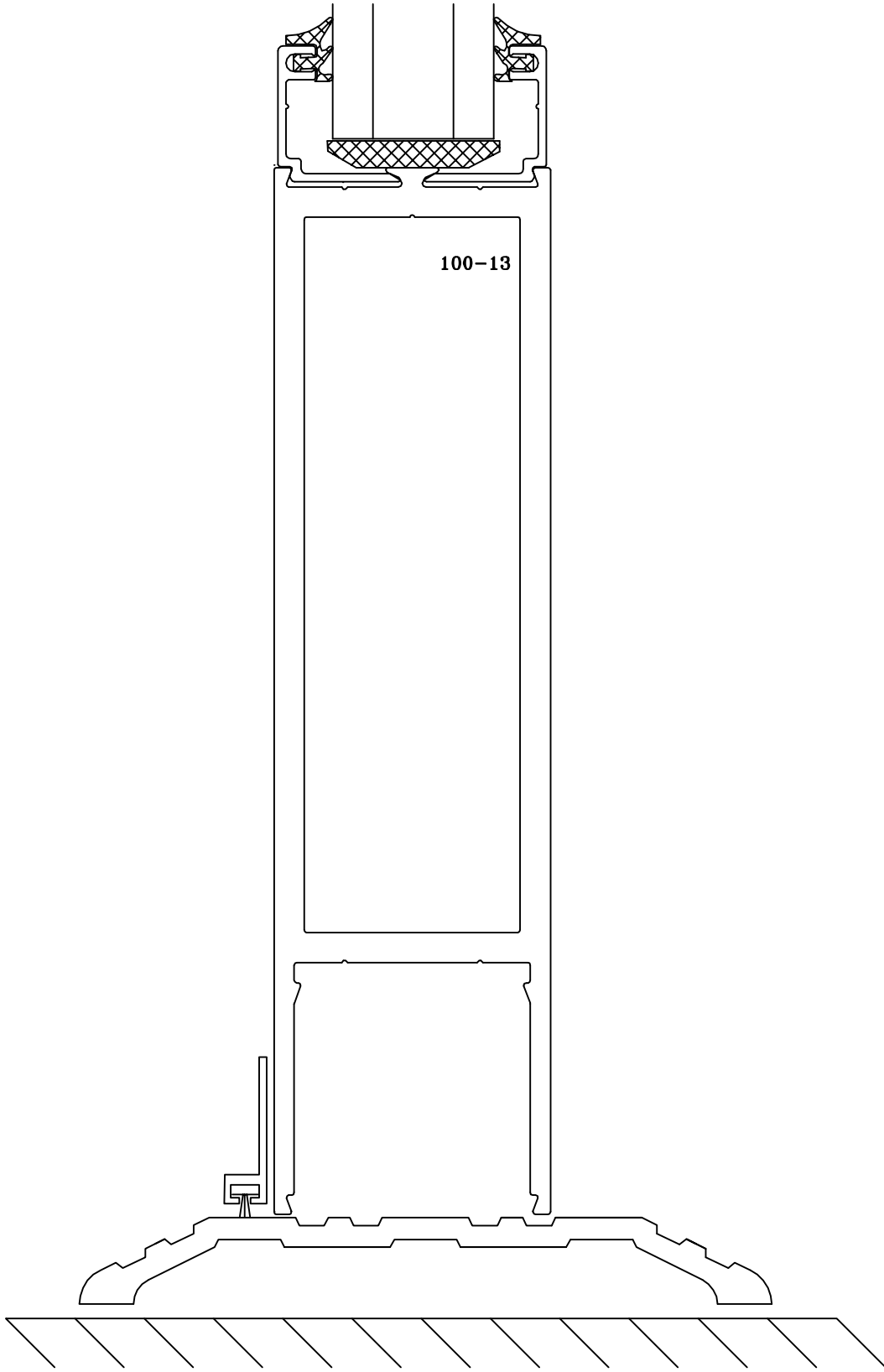
7A DOOR JAMB



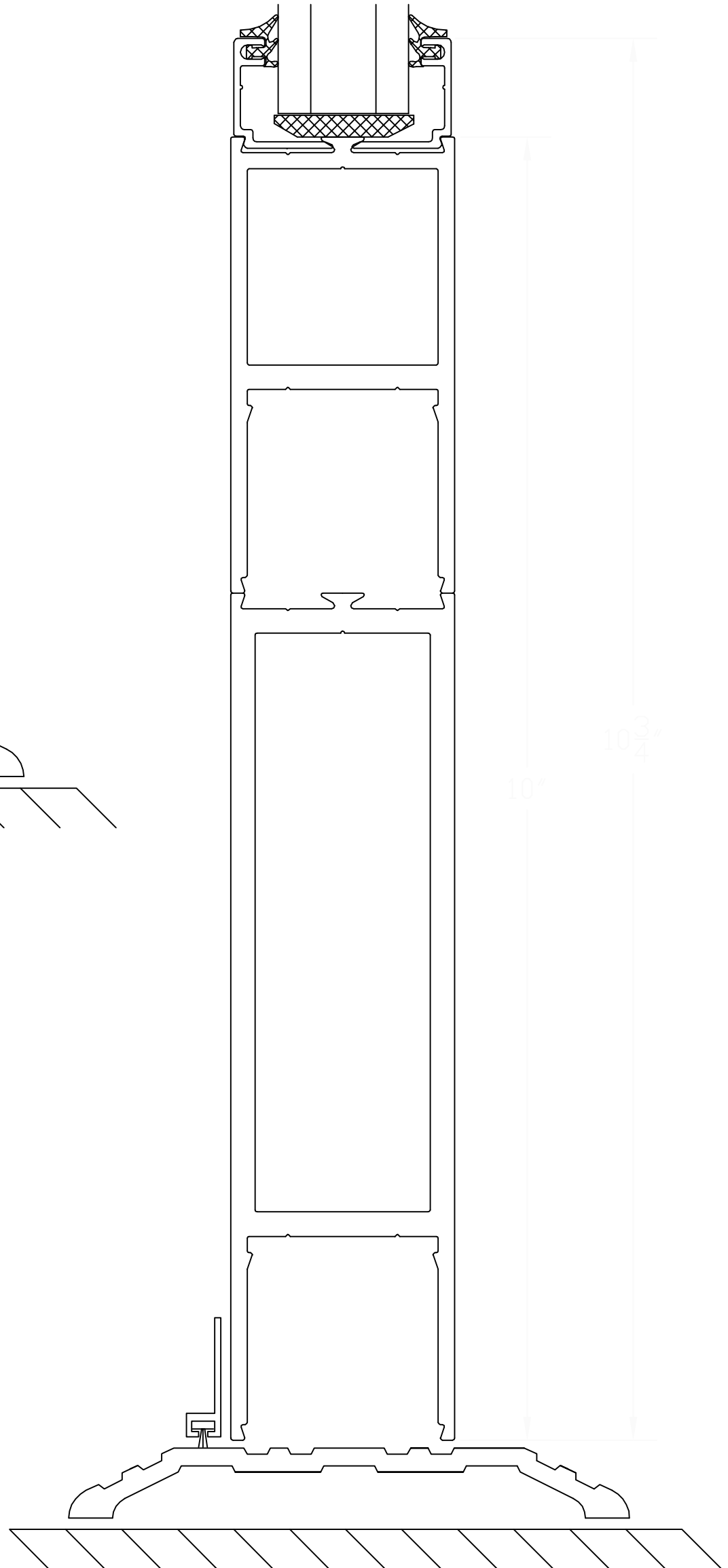


8 HEAD

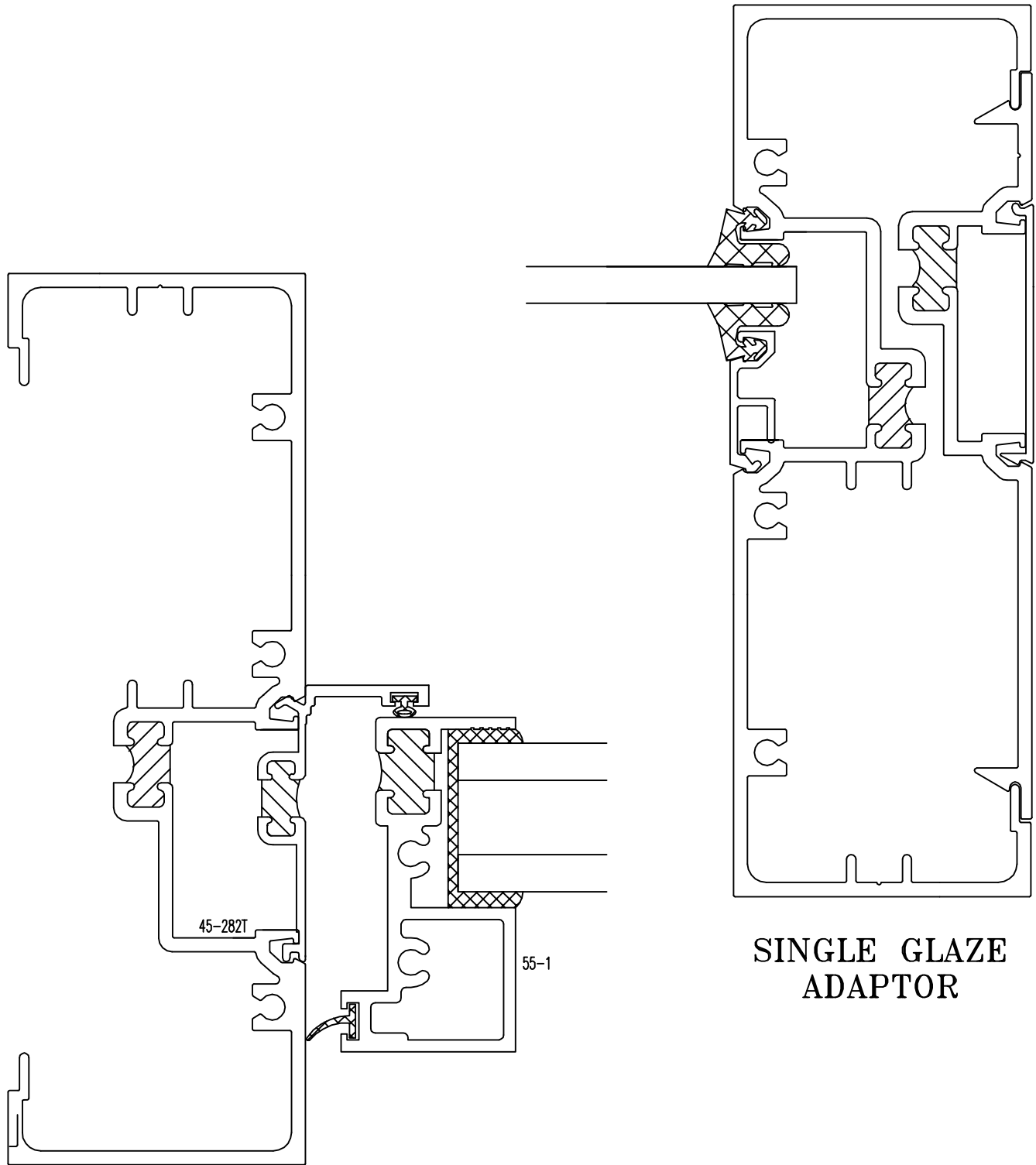




⑩ BOTTOM RAIL



OPTIONAL 10" BOTTOM RAIL



11 JAMB

BUTT GLAZE CORNER

