

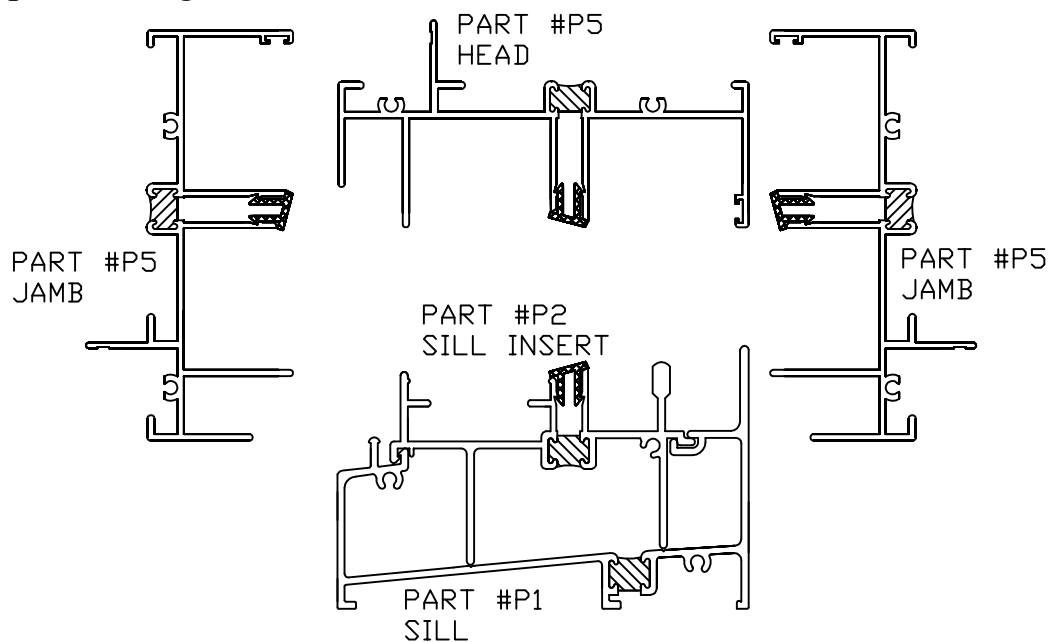
MARLIN 4500 SERIES PATIO DOOR FRAME ASSEMBLY INSTRUCTIONS



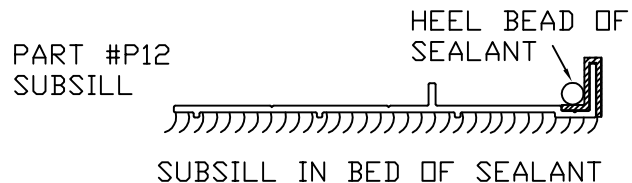
All frames must be installed square, plumb, level and in plane without any twisting or warping. Make sure opening is properly prepared and flashed. Follow the project's approved installation practices for sealing door into the building's exterior weather resistive barrier.

Illustration shown is for a XO - 2 panel door

- 1) Insert sill insert (P2) into sill (P1)
- 2) Take the two jambs (P5) and the head (P5) and "capture" the head (P5) and sill (P1/P2) of the frame with the jambs. Screw these components together.



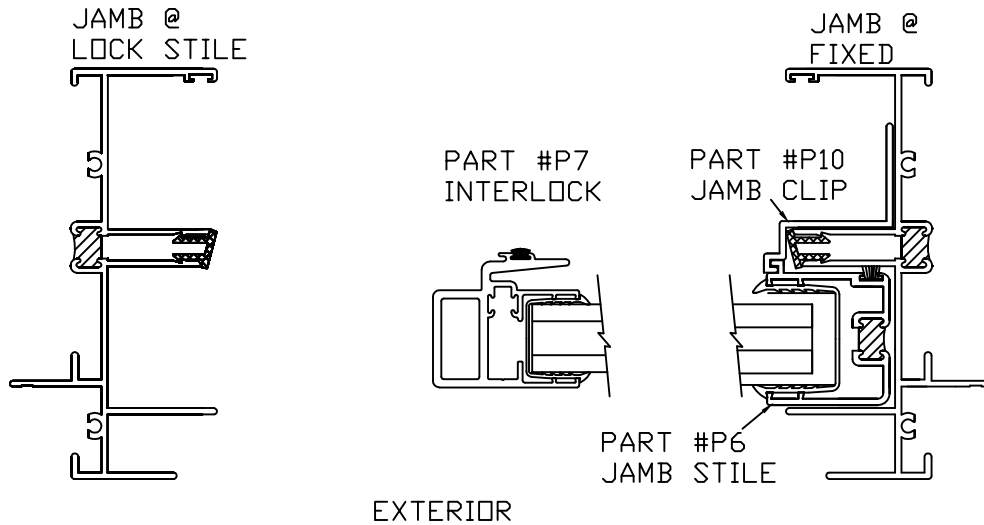
- 3) Before setting the subsill (P12) with a nail fin application, you need to have the subsill in the correct location. There is an alignment line on the subsill, back in from the exterior face 1" that will align with the nail fins of the head and jambs. Set the subsill in a bed of sealant, anchor and "end dam" the subsill with silicone caulk. Run a heel bead of caulk in the subsill at the location shown. Install the main frame on the subsill, shim and anchor so the frame is square, plumb and level.



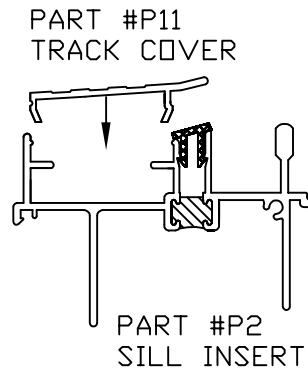
MARLIN 4500 SERIES
 PATIO DOOR FRAME ASSEMBLY INSTRUCTIONS



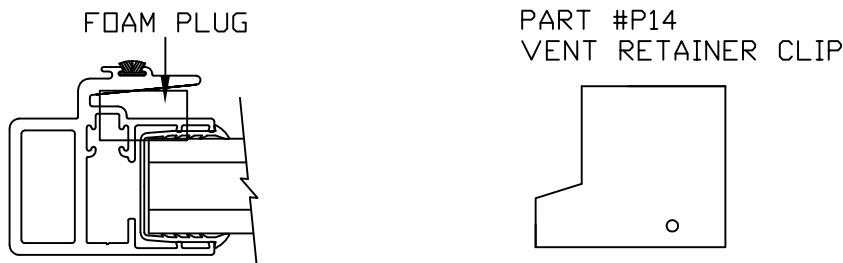
4) Now insert the fixed panel into the main frame with the interlock (P7) facing towards the interior. Make sure that the fixed panel is tight into the receiving jamb. Place the two jamb clips (P10) onto the jamb stile of the fixed panel and anchor into the main frame jamb.



5) Insert the track cover (P11) into the sill at the edge of the fixed panel and the jamb. This will be in front of the vent panel.



6) Stick the foam plug onto the top of the fixed panel above the interlock. Attach the retainer clip (P14) to the top edge of the fixed panel and the head of the main frame.



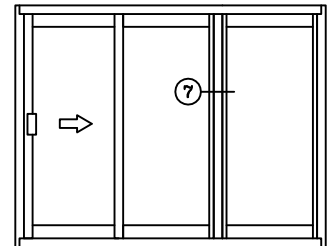
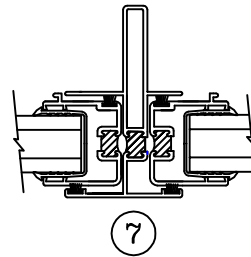
7) Insert the vent panel. Check lock and adjust as needed.

MARLIN 4500 SERIES PATIO DOOR FRAME ASSEMBLY INSTRUCTIONS



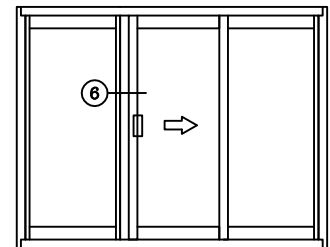
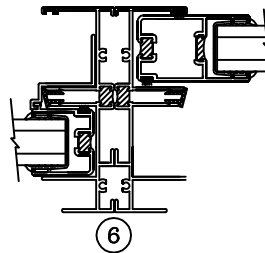
For a XOO or OOX 3-Panel Door

1. Assemble frame as shown in the 2-Panel door system.
2. Insert fixed panel into receiving jamb. This will be the panel without the interlock. Anchor with jamb clips (P10)
3. Insert mullion (Detail #7)
4. Insert fixed panel with interlock (P7) into mullion.
5. Anchor head of fixed panel with vent retainer clip (P14)
6. Insert track cover (P11)
7. Insert vent panel. Check lock and adjust as needed.



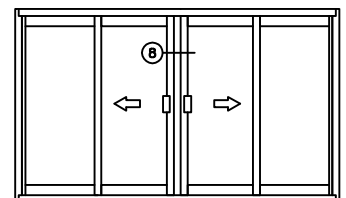
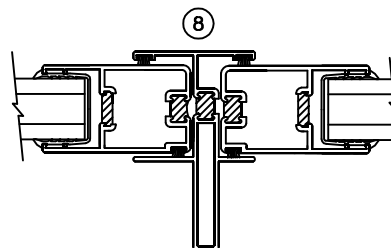
For a O/XO or OX/O 3-Panel Door

1. Assemble frame as shown in the 2-Panel door system.
 2. Insert fixed panel with interlock (P7) into receiving jamb. This will be the fixed panel that will be in front of vent when open. Anchor with jamb clips (P10)
 3. Insert other fixed panel into the other receiving jamb. Anchor with jamb clips (P10)
 4. Insert mullion (Detail #6) and anchor in place with "L" brackets.
 5. Insert track cover (P11)
 6. Insert vent panel.
- Check lock and adjust as needed.

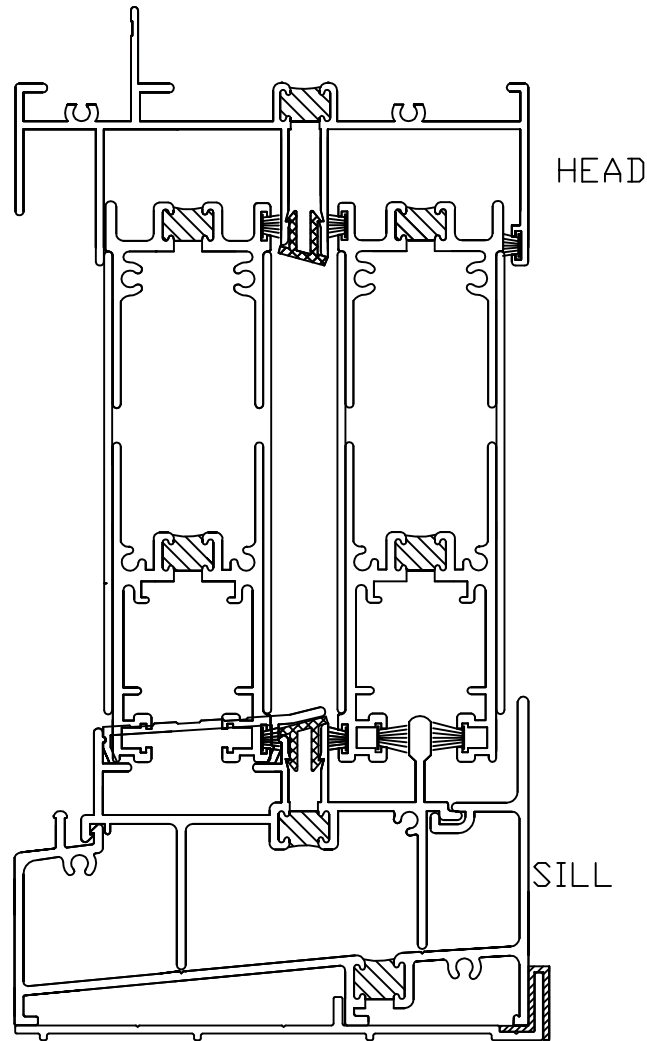


For a OXXO 4-Panel door

1. Assemble frame as shown in the 2-panel door system.
2. Insert fixed panels into receiving jambs making sure that both interlocks (P7) are facing towards the interior.
3. Anchor head of both fixed panels with vent retainer clips (P14)
4. Insert track cover (P11)
5. Insert vents. Install the lock mullion (Detail #8) onto the vent panel that is prepped.
6. Check lock and adjust as needed.



MARLIN 4500 SERIES
PATIO DOOR FRAME ASSEMBLY INSTRUCTIONS



JAMB

INTERLOCK

JAMB

